

# new to range

SPEED TO MARKET SECOND TO NONE

**AYD**<sup>®</sup>  
AUTOMOTIVE INDUSTRY



# BRAKE WITH CONFIDENCE



**SAFETY**

**PERFORMANCE**

**OEM Standards**

**AYD QUALITY**

[www.aydtr.com](http://www.aydtr.com)

**500**  
Top 500 Industrial Enterprises of Turkey

**1000**  
TÜRKİYE'NİN İLK 1000 İNŞAATÇI FİRMASI  
TOP 1000 EXPORTERS OF TURKEY

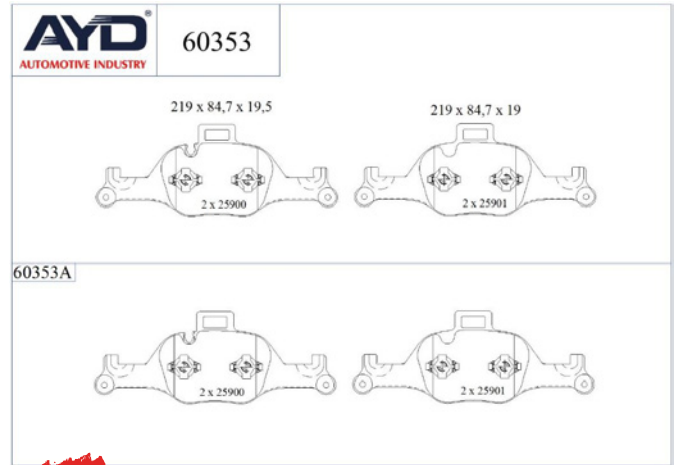
**MAY 2024**

## INDEX

<b>BMW</b> .....	<b>3-4</b>
<b>CITROEN</b> .....	<b>5</b>
<b>DS</b> .....	<b>6</b>
<b>FORD</b> .....	<b>7-11</b>
<b>HONDA</b> .....	<b>12-13</b>
<b>HYUNDAI</b> .....	<b>14</b>
<b>KIA</b> .....	<b>15</b>
<b>NISSAN</b> .....	<b>16-18</b>
<b>OPEL</b> .....	<b>19</b>
<b>PEUGEOT</b> .....	<b>20</b>
<b>PORSCHE</b> .....	<b>21</b>
<b>RENAULT</b> .....	<b>22-23</b>
<b>SUBARU</b> .....	<b>24</b>
<b>TOYATA</b> .....	<b>25-27</b>
<b>VAUXHALL</b> .....	<b>28</b>

## BRAKE PAD

11-60353



• Front Axle

OE:  
34106883469  
34106888482  
34106898192

• Safety  
• Performance  
• OEM Standarts  
• AYD Quality

WVA :25900-25901

### Technical Specifications:

Code	Shim	Wear Indicator	Indicator Type	Piston Spring	Compression Spring	Rivet	Clips	Bolt	Plastic Plug	Kit
60353A	4	-	-	8	-	-	-	-	-	-

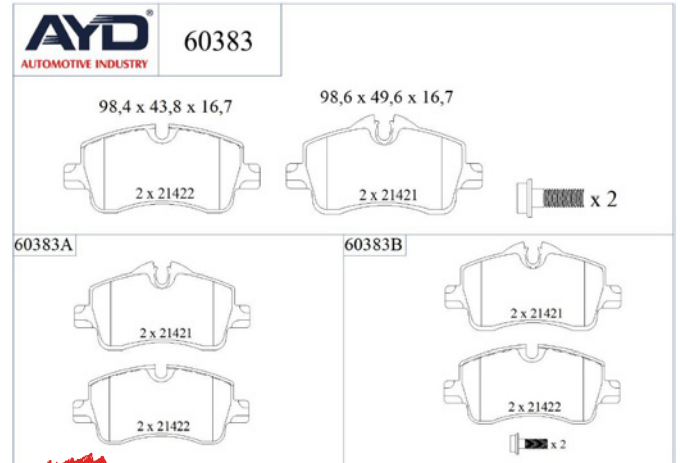
## BMW

MODEL	START D.	END Y.
2 Coupe (G42. G87)	2021/08	
3 (G20. G80. G28)	2018/11	
3 Touring (G21. G81)	2019/07	
3 Touring Van (G21)	2019/07	
4 Convertible (G23. G83)	2020/11	
4 Coupe (G22. G82)	2020/07	
4 Gran Coupe (G26)	2021/07	
5 (G30. F90)	2016/09	



## BRAKE PAD

11-60383



• Rear Axle

OE:  
8844393

• Safety  
• Performance  
• OEM Standards  
• AYD Quality

WVA :21421-21422

### Technical Specifications:

Code	Shim	Wear Indicator	Indicator Type	Piston Spring	Compression Spring	Rivet	Clips	Bolt	Plastic Plug	Kit
60383A	4	-	-	-	-	-	-	-	-	-
60383B	4	-	-	-	-	-	-	4	-	-

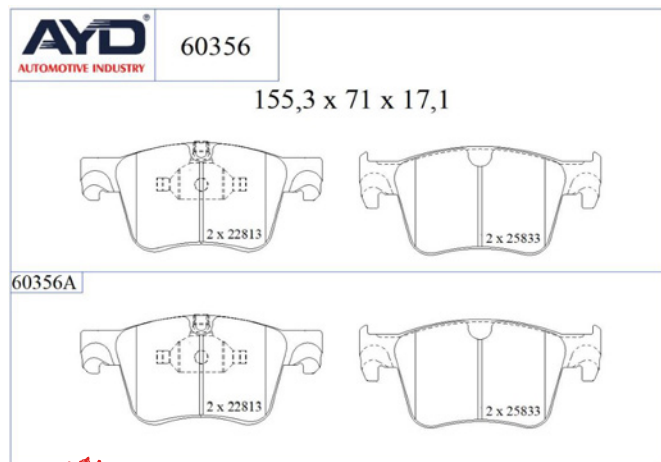
## BMW

MODEL	START D.	END Y.
2 Coupe (G42. G87)	2021/08	
3 (G20. G80. G28)	2018/11	
3 Touring (G21. G81)	2019/07	
4 Convertible (G23. G83)	2020/11	
4 Coupe (G22. G82)	2020/07	
4 Gran Coupe (G26)	2021/07	



## BRAKE PAD

11-60356



• Front Axle

OE:  
1623162380  
1636925480  
1667817080

• Safety  
• Performance  
• OEM Standarts  
• AYD Quality

WVA :22813-25833

### Technical Specifications:

Code	Shim	Wear Indicator	Indicator Type	Piston Spring	Compression Spring	Rivet	Clips	Bolt	Plastic Plug	Kit
60356A	4	-	-	2	-	-	-	-	-	-

## CITROËN

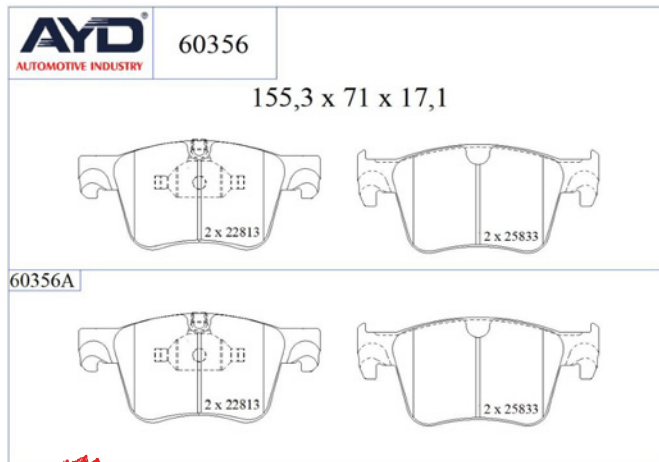
MODEL	START D.	END Y.
BERLINGO (ER_ EC_)	2018/06	
BERLINGO Box Body/MPV (K9)	2018/06	
C4 SPACETOURER (3D_)	2018/04	
C4 SPACETOURER Van (3D_)	2018/04	
C5 AIRCROSS (A_)	2018/11	
GRAND C4 SPACETOURER (3A_ 3E_)	2018/04	
GRAND C4 SPACETOURER Van (3A_ 3E_)	2018/04	





## BRAKE PAD

11-60356



• Front Axle

OE:  
95525370

Safety  
Performance  
OEM Standarts  
AYD Quality

WVA :22813-25833

### Technical Specifications:

Code	Shim	Wear Indicator	Indicator Type	Piston Spring	Compression Spring	Rivet	Clips	Bolt	Plastic Plug	Kit
60356A	4	-	-	2	-	-	-	-	-	-

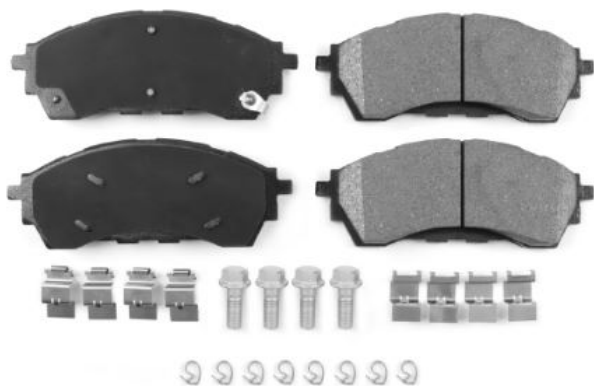
## DS

MODEL	START D.	END Y.
DS 7 Crossback (J4_ . JR_ . JC_)	2017/09	



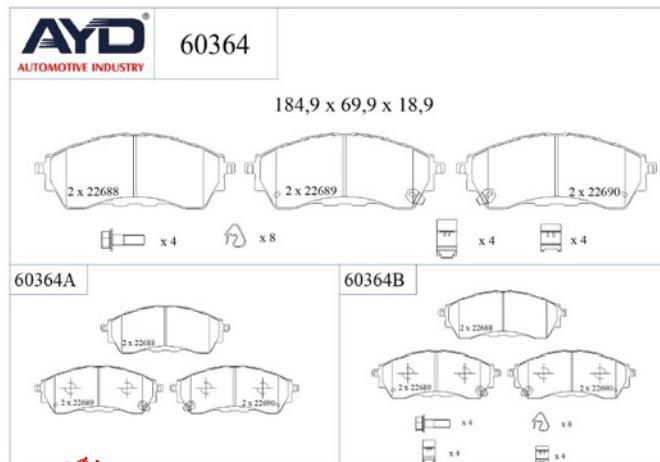
## BRAKE PAD

11-60364



• Front Axle

OE:  
2586105



• Safety  
• Performance  
• OEM Standarts  
• AYD Quality

WVA :22688-22689-22670

### Technical Specifications:

Code	Shim	Wear Indicator	Indicator Type	Piston Spring	Compression Spring	Rivet	Clips	Bolt	Plastic Plug	Kit
60364A	4	2	-	-	-	-	-	-	-	-
60364B	4	2	-	-	8	-	8	4	-	-

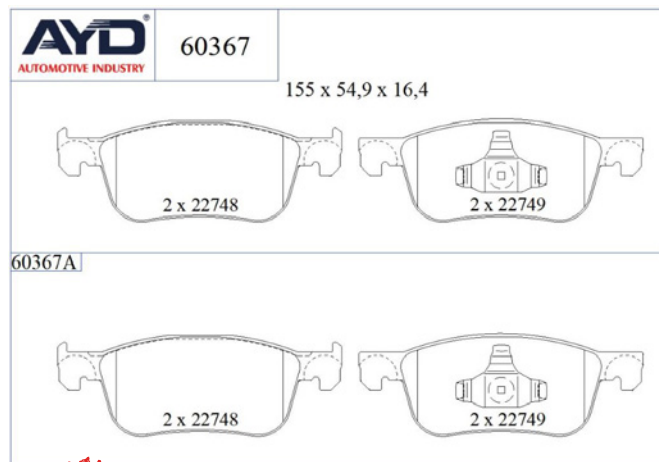
## FORD

MODEL	START D.	END Y.
EVEREST	2016/01	
RANGER (TKE)	2011/04	



## BRAKE PAD

11-60367



• Front Axle

OE:  
2095060  
2095160  
2272732

· Safety  
· Performance  
· OEM Standards  
· AYD Quality

WVA :22748-22749

### Technical Specifications:

Code	Shim	Wear Indicator	Indicator Type	Piston Spring	Compression Spring	Rivet	Clips	Bolt	Plastic Plug	Kit
60367A	4	-	-	2	-	-	-	-	-	-

## FORD

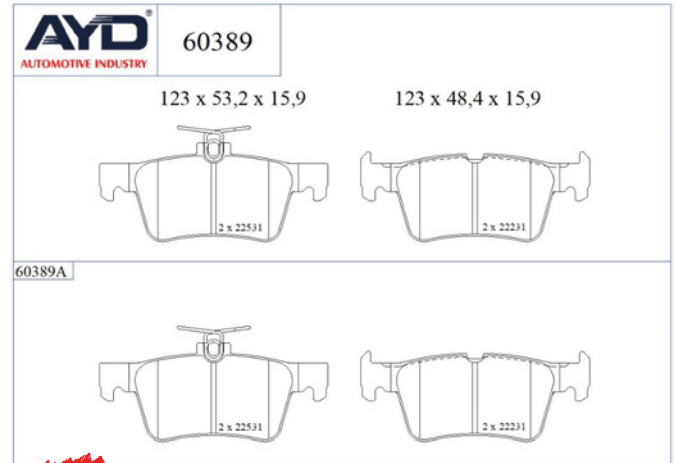
MODEL	START D.	END Y.
FIESTA VII (HJ. HF)	2017/05	
FIESTA VII Van	2018/09	





## BRAKE PAD

11-60389



• Rear Axle

OE:  
2454300  
DG9Z2200A  
DG9Z2200D

• Safety  
• Performance  
• OEM Standarts  
• AYD Quality

WVA :22531-22231

### Technical Specifications:

Code	Shim	Wear Indicator	Indicator Type	Piston Spring	Compression Spring	Rivet	Clips	Bolt	Plastic Plug	Kit
60389A	4	-	-	-	2	-	-	-	-	-

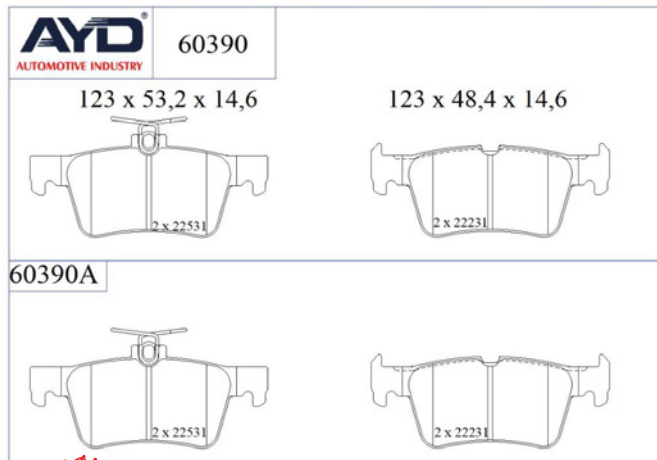
## FORD

MODEL	START D.	END Y.
GALAXY III (CK)	2015/01	
GALAXY MK III VAN (CK)	2019/03	
KUGA II (DM2)	2012/05	
KUGA II VAN	2012/05	
MONDEO V Hatchback (CE)	2014/09	
MONDEO V Saloon (CD)	2012/09	
MONDEO V Turnier (CF)	2014/09	
S-MAX (CJ. WA6)	2015/01	



## BRAKE PAD

11-60390



• Rear Axle

OE:  
MEDG9J2M007HA  
MEK1GJ2M008AA  
2465422

• Safety  
• Performance  
• OEM Standarts  
• AYD Quality

WVA :22531-22231

### Technical Specifications:

Code	Shim	Wear Indicator	Indicator Type	Piston Spring	Compression Spring	Rivet	Clips	Bolt	Plastic Plug	Kit
60390A	4	-	-	-	2	-	-	-	-	-

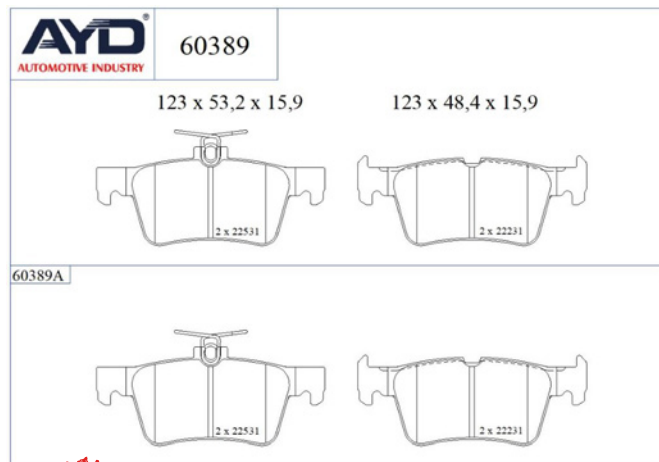
## FORD

MODEL	START D.	END Y.
GALAXY III (CK)	2015/01	
GALAXY MK III VAN (CK)	2019/03	
KUGA III (DFK)	2019/07	
MONDEO V Hatchback (CE)	2014/09	
MONDEO V Saloon (CD)	2012/09	
MONDEO V Turnier (CF)	2014/09	
S-MAX (CJ. WA6)	2015/01	



## BRAKE PAD

11-60389



• Rear Axle

OE:  
DG9Z2200D

- Safety
- Performance
- OEM Standarts
- AYD Quality

WVA :22531-22231

### Technical Specifications:

Code	Shim	Wear Indicator	Indicator Type	Piston Spring	Compression Spring	Rivet	Clips	Bolt	Plastic Plug	Kit
60389A	4	-	-	-	2	-	-	-	-	-

## FORD USA

MODEL	START D.	END Y.
EDGE	2014/01	



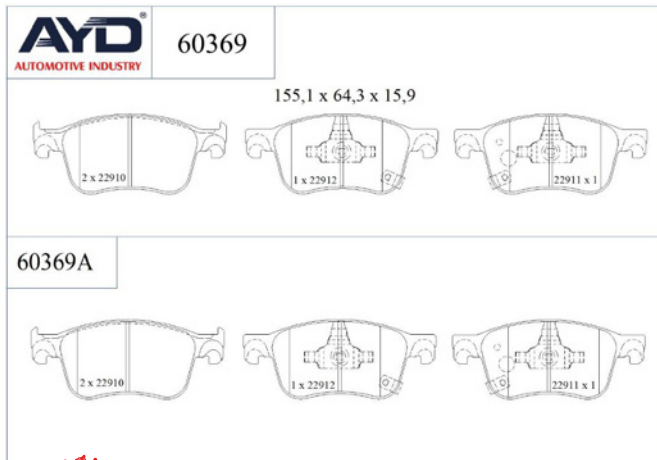
## BRAKE PAD

11-60369



• Front Axle

OE:  
45022TVCA02  
45022TVCA51



· Safety  
· Performance  
· OEM Standarts  
· AYD Quality

WVA :22910-22911-22912

### Technical Specifications:

Code	Shim	Wear Indicator	Indicator Type	Piston Spring	Compression Spring	Rivet	Clips	Bolt	Plastic Plug	Kit
60369A	4	2	-	2	-	-	-	-	-	-

## HONDA

MODEL	START D.	END Y.
ACCORD X Saloon (CV)	2017/10	



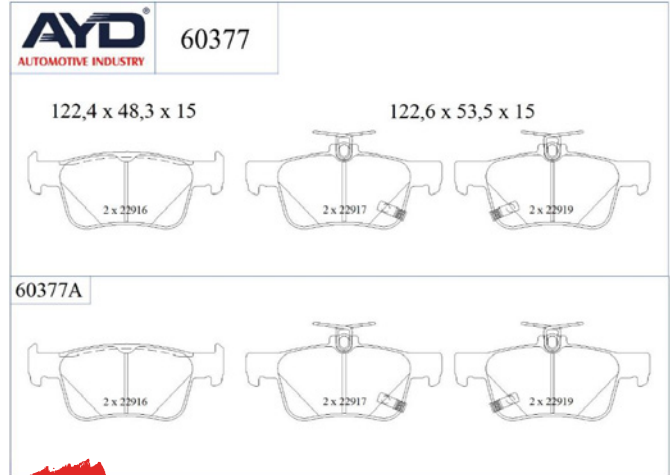
## BRAKE PAD

11-60377



• Rear Axle

OE:  
43022TVAA03



- Safety
- Performance
- OEM Standards
- AYD Quality

WVA :22916-22917-22918

### Technical Specifications:

Code	Shim	Wear Indicator	Indicator Type	Piston Spring	Compression Spring	Rivet	Clips	Bolt	Plastic Plug	Kit
60377A	4	2	-	-	2	-	-	-	-	-

## HONDA

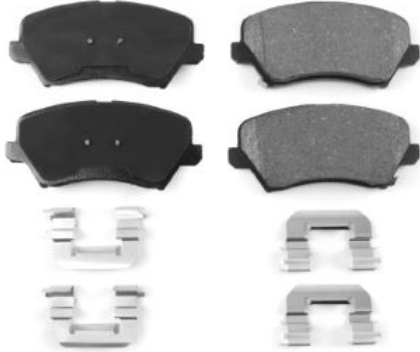
MODEL	START D.	END Y.
ACCORD X Saloon (CV)	2017/10	





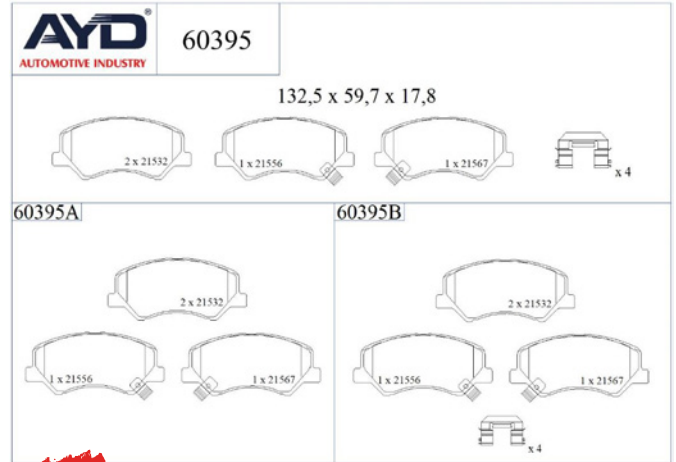
## BRAKE PAD

11-60395



• Front Axle

OE:  
58101A5A30  
581012VA15  
58101A6A03



• Safety  
• Performance  
• OEM Standarts  
• AYD Quality

WVA :21532-21567-21556

### Technical Specifications:

Code	Shim	Wear Indicator	Indicator Type	Piston Spring	Compression Spring	Rivet	Clips	Bolt	Plastic Plug	Kit
60395A	4	2	-	-	-	-	-	-	-	-
60395B	4	2	-	-	-	-	4	-	-	-

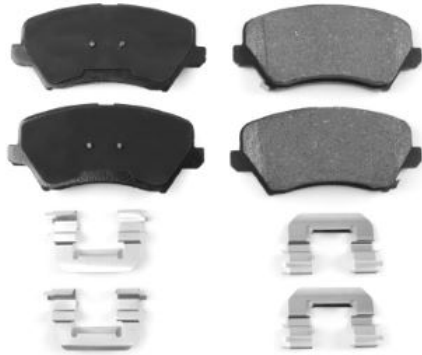
## HYUNDAI

MODEL	START D.	END Y.
i30 (PDE. PD. PDEN)	2016/11	
i30 Coupe	2013/05	
i30 Estate (PDE)	2017/03	
i30 FASTBACK (PDE. PDEN)	2017/06	
i30 Hatchback Van (PDE)	2016/11	
i30 Kombi Van (PDE)	2017/03	



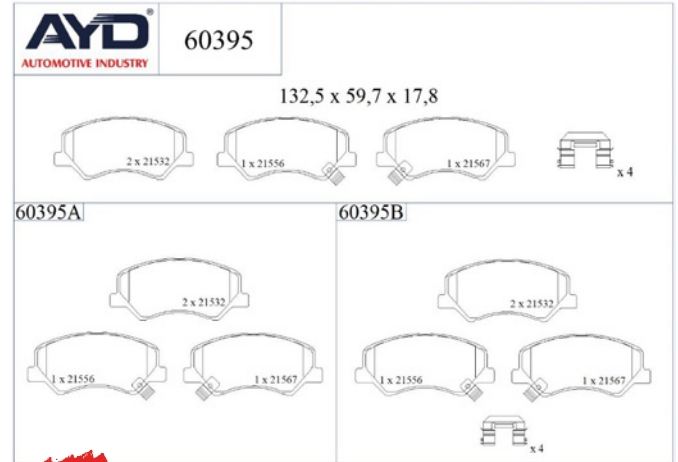
## BRAKE PAD

11-60395



• Front Axle

OE:  
58101A6A03  
58101A7A01  
58101M6A00



• Safety  
• Performance  
• OEM Standarts  
• AYD Quality

WVA :21532-21567-21556

### Technical Specifications:

Code	Shim	Wear Indicator	Indicator Type	Piston Spring	Compression Spring	Rivet	Clips	Bolt	Plastic Plug	Kit
60395A	4	2	-	-	-	-	-	-	-	-
60395B	4	2	-	-	-	-	4	-	-	-

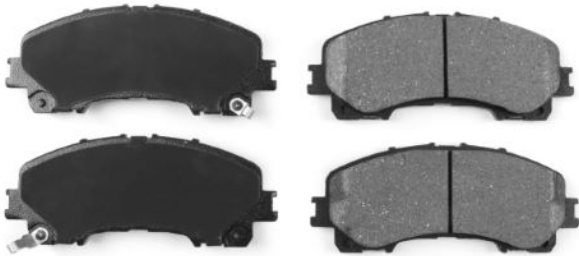
## KIA



MODEL	START D.	END Y.
CEE'D (JD)	2012/05	2018/07
CEE'D Combi Van (JD)	2012/07	2018/07
CEE'D Sportswagon (JD)	2012/09	2018/07
CEED (CD)	2018/03	
CEED Sportswagon (CD)	2018/03	
CERATO III Hatchback (YD)	2012/09	
CERATO III Saloon (YD)	2012/09	
CERATO IV Saloon (BD. BDM)	2018/02	

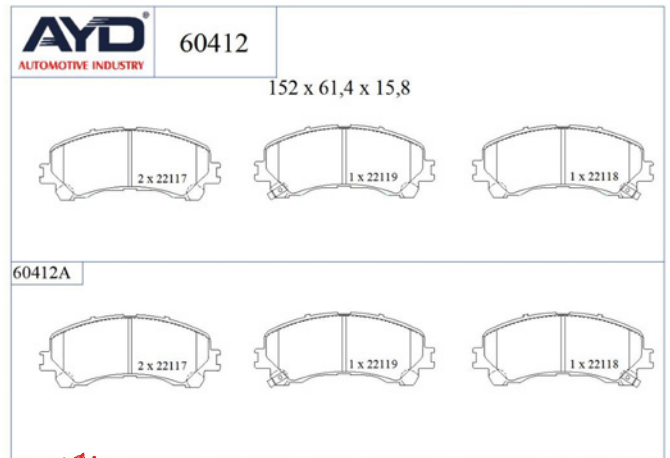
## BRAKE PAD

11-60412



• Front Axle

OE:  
D10604CC0A



· Safety  
· Performance  
· OEM Standarts  
· AYD Quality

WVA :22117-22118-22119

### Technical Specifications:

Code	Shim	Wear Indicator	Indicator Type	Piston Spring	Compression Spring	Rivet	Clips	Bolt	Plastic Plug	Kit
60412A	4	2	-	-	-	-	-	-	-	-

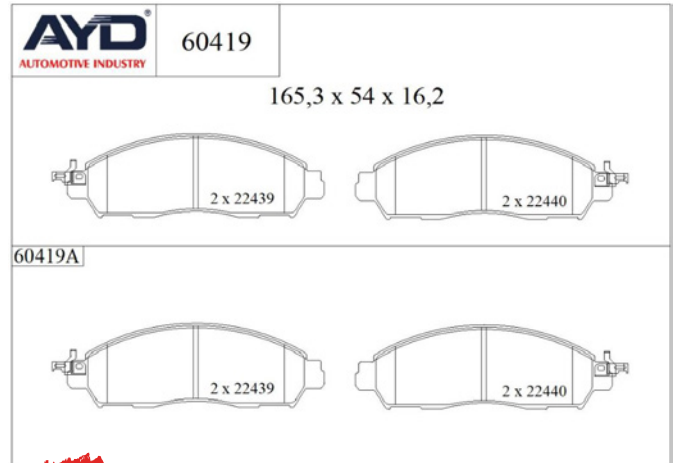
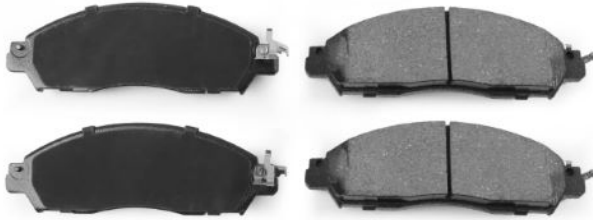
## NISSAN

MODEL	START D.	END Y.
SKYLINE (_V37)	2014/02	
X-TRAIL III (T32_, T32R, T32RR)	2013/10	



## BRAKE PAD

11-60419



• Front Axle

OE:  
D10304JA0A  
D10604JA0A  
D10604KH0C

· Safety  
· Performance  
· OEM Standarts  
· AYD Quality

WVA :22439-22440

### Technical Specifications:

Code	Shim	Wear Indicator	Indicator Type	Piston Spring	Compression Spring	Rivet	Clips	Bolt	Plastic Plug	Kit
60419A	4	-	-	-	4	-	-	-	-	-

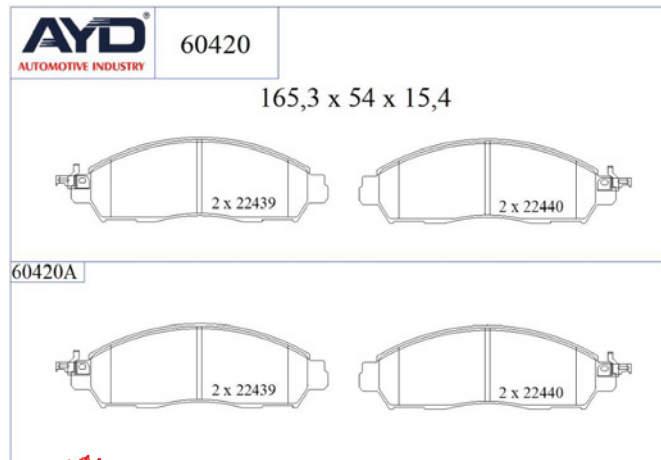
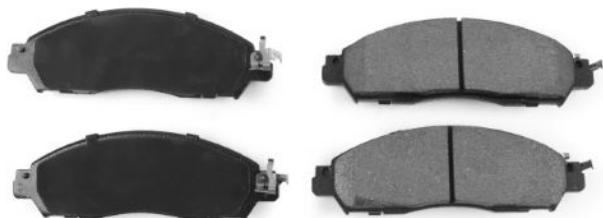
## NISSAN

MODEL	START D.	END Y.
NAVARA Platform/Chassis (D23)	2015/01	
NP300 NAVARA Pickup (D23. D23T)	2014/07	



## BRAKE PAD

11-60420



• Front Axle

OE:  
D10604JA0A

· Safety  
· Performance  
· OEM Standarts  
· AYD Quality

WVA :22439-22440

### Technical Specifications:

Code	Shim	Wear Indicator	Indicator Type	Piston Spring	Compression Spring	Rivet	Clips	Bolt	Plastic Plug	Kit
60420A	4	-	-	-	4	-	-	-	-	-

## NISSAN

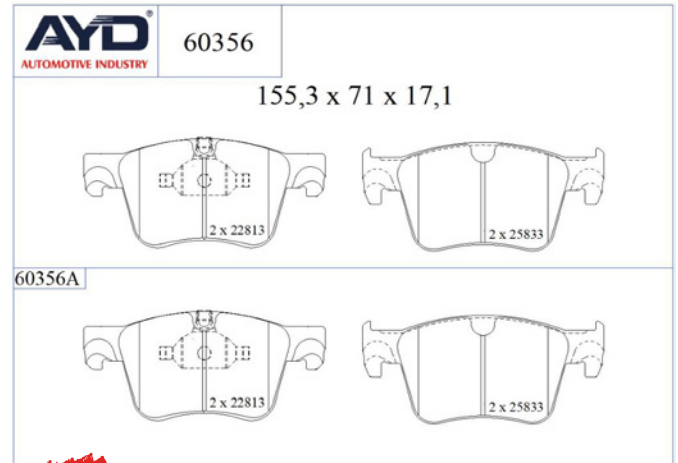
MODEL	START D.	END Y.
NAVARA Platform/Chassis (D23)	2015/01	
NP300 NAVARA Pickup (D23. D23T)	2014/07	





## BRAKE PAD

11-60356



• Front Axle

OE:  
93487177  
95525370

• Safety  
• Performance  
• OEM Standarts  
• AYD Quality

WVA :22813-25833

### Technical Specifications:

Code	Shim	Wear Indicator	Indicator Type	Piston Spring	Compression Spring	Rivet	Clips	Bolt	Plastic Plug	Kit
60356A	4	-	-	2	-	-	-	-	-	-

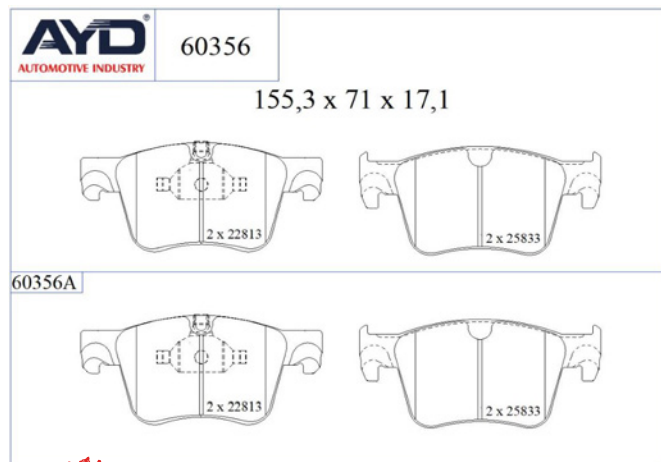
## OPEL

MODEL	START D.	END Y.
COMBO Box Body/MPV (K9)	2018/06	
COMBO E Tour / Life (K9)	2018/06	
GRANDLAND / GRANDLAND X (A18. P1UO)	2017/06	
GRANDLAND X Van	2017/06	



## BRAKE PAD

11-60356



• Front Axle

OE:  
1623162380  
1636925480  
1667817080

Safety  
Performance  
OEM Standarts  
AYD Quality

WVA :22813-25833

### Technical Specifications:

Code	Shim	Wear Indicator	Indicator Type	Piston Spring	Compression Spring	Rivet	Clips	Bolt	Plastic Plug	Kit
60356A	4	-	-	2	-	-	-	-	-	-

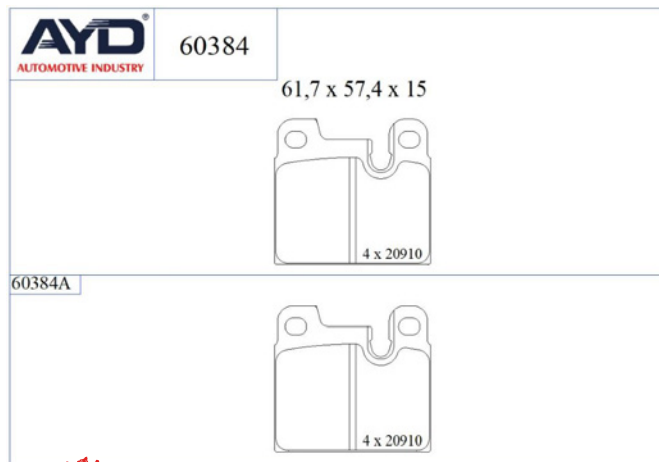
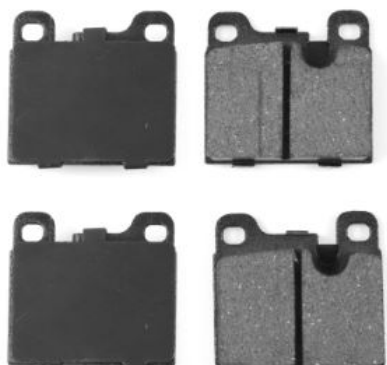
## PEUGEOT

MODEL	START D.	END Y.
3008 SUV (MC_. MR_. MJ_. M4_)	2016/05	
3008 Van (MR_. MC_. MJ_)	2016/05	
5008 II (MC_. MJ_. MR_. M4_)	2016/12	
5008 II Van (MC_. MJ_)	2016/12	
508 II (FB_. FH_. F3_)	2018/09	
508 SW II (FC_. FJ_. F4_)	2018/09	
PARTNER Box Body/MPV (K9)	2018/09	
RIFTER	2018/09	



## BRAKE PAD

11-60384



• Rear Axle

OE:  
91135295000  
91135295001  
91135295002

• Safety  
• Performance  
• OEM Standarts  
• AYD Quality

WVA :20910

### Technical Specifications:

Code	Shim	Wear Indicator	Indicator Type	Piston Spring	Compression Spring	Rivet	Clips	Bolt	Plastic Plug	Kit
60384A	4	-	-	-	-	-	-	-	-	-

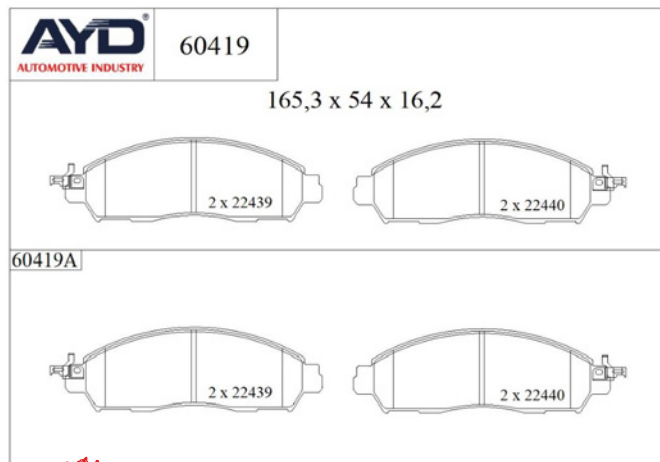
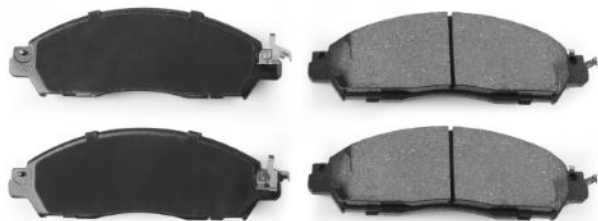
## PORSCHE

MODEL	START D.	END Y.
911	1963/01	1990/11
911 Convertible	1982/08	1989/08
911 Targa	1964/11	1990/11
912	1965/01	1970/02
912 Targa	1965/03	1970/02



## BRAKE PAD

11-60419



• Front Axle

OE:  
D10604KH0C

· Safety  
· Performance  
· OEM Standarts  
· AYD Quality

WVA :22439-22440

### Technical Specifications:

Code	Shim	Wear Indicator	Indicator Type	Piston Spring	Compression Spring	Rivet	Clips	Bolt	Plastic Plug	Kit
60419A	4	-	-	-	4	-	-	-	-	-

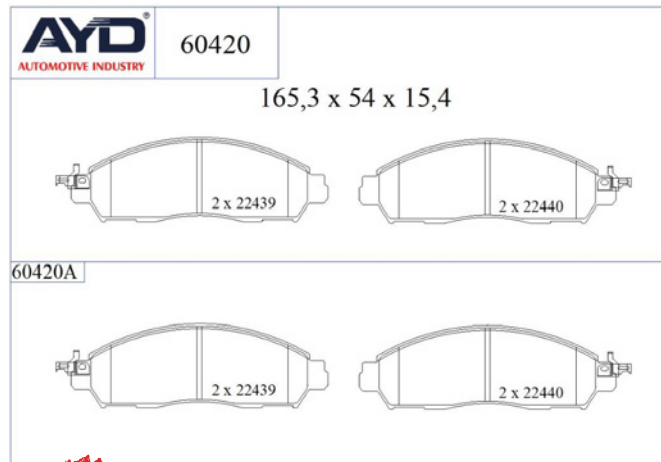
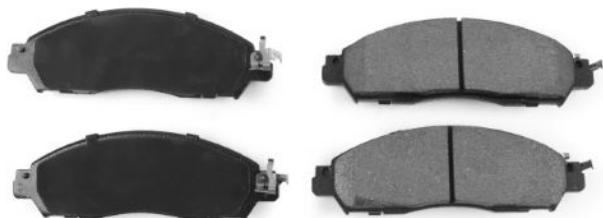
## RENAULT

MODEL	START D.	END Y.
ALASKAN	2016/10	



## BRAKE PAD

11-60420



• Front Axle

OE:  
D10604JA0A

- Safety
- Performance
- OEM Standarts
- AYD Quality

WVA :22439-22440

### Technical Specifications:

Code	Shim	Wear Indicator	Indicator Type	Piston Spring	Compression Spring	Rivet	Clips	Bolt	Plastic Plug	Kit
60420A	4	-	-	-	4	-	-	-	-	-

## RENAULT

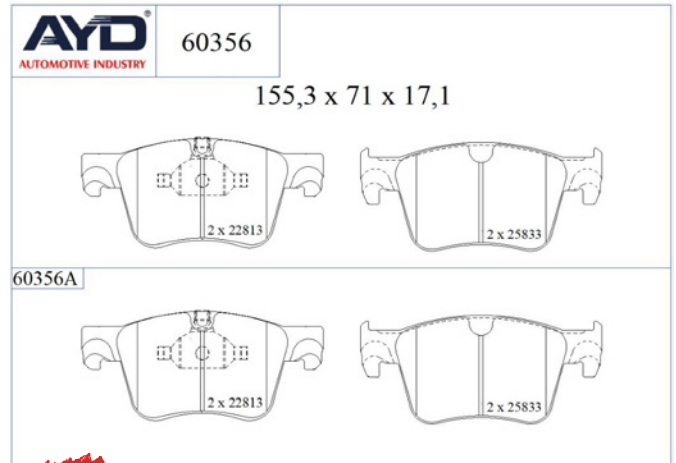
MODEL	START D.	END Y.
ALASKAN	2016/10	





## BRAKE PAD

11-60356



• Front Axle

OE:  
SU001A8883

· Safety  
· Performance  
· OEM Standarts  
· AYD Quality

WVA :22813-25833

### Technical Specifications:

Code	Shim	Wear Indicator	Indicator Type	Piston Spring	Compression Spring	Rivet	Clips	Bolt	Plastic Plug	Kit
60356A	4	-	-	2	-	-	-	-	-	-

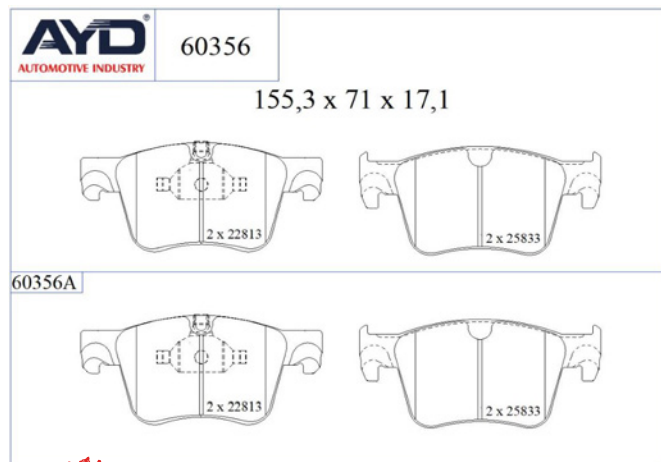
## TOYOTA

MODEL	START D.	END Y.
PROACE CITY Box Body/MPV	2019/10	
PROACE CITY VERSO MPV	2019/10	



## BRAKE PAD

11-60356



• Front Axle

OE:  
93487177  
95525370

· Safety  
· Performance  
· OEM Standarts  
· AYD Quality

WVA :22813-25833

### Technical Specifications:

Code	Shim	Wear Indicator	Indicator Type	Piston Spring	Compression Spring	Rivet	Clips	Bolt	Plastic Plug	Kit
60356A	4	-	-	2	-	-	-	-	-	-

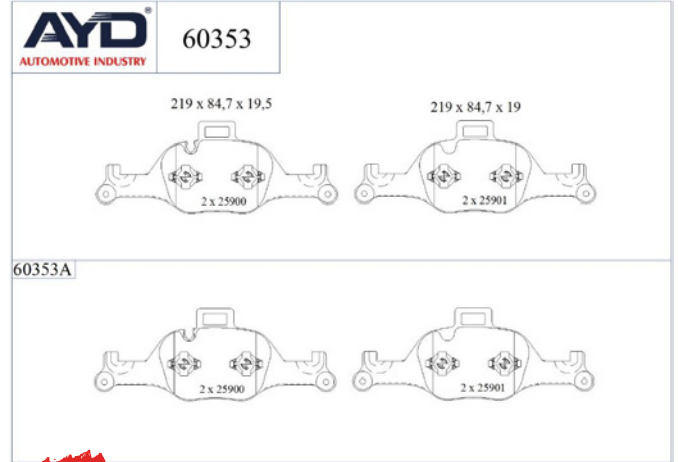
## VAUXHALL

MODEL	START D.	END Y.
GRANDLAND X / GRANDLAND (A18)	2017/06	



## BRAKE PAD

11-60353



• Front Axle

OE:  
34106883469  
34106888482  
34106898192

• Safety  
• Performance  
• OEM Standarts  
• AYD Quality

WVA :25900-25901

### Technical Specifications:

Code	Shim	Wear Indicator	Indicator Type	Piston Spring	Compression Spring	Rivet	Clips	Bolt	Plastic Plug	Kit
60353A	4	-	-	8	-	-		-	-	-

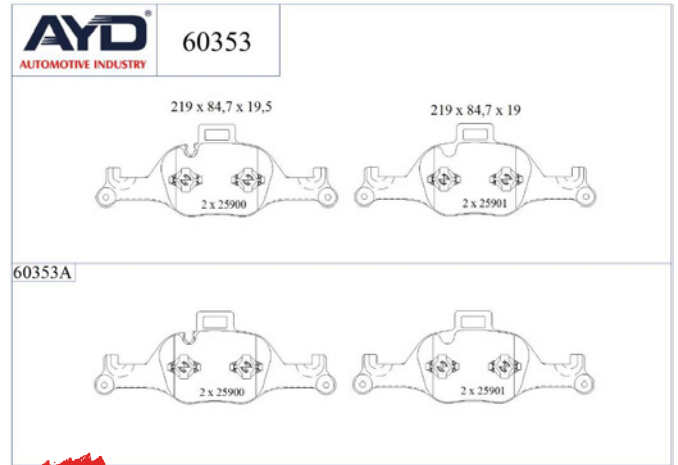
## BMW

MODEL	START D.	END Y.
2 Coupe (G42. G87)	2021/08	
3 (G20. G80. G28)	2018/11	
3 Touring (G21. G81)	2019/07	
3 Touring Van (G21)	2019/07	
4 Convertible (G23. G83)	2020/11	
4 Coupe (G22. G82)	2020/07	
4 Gran Coupe (G26)	2021/07	
5 (G30. F90)	2016/09	



## BRAKE PAD

11-60353



• Front Axle

OE:  
34106883469  
34106888482  
34106898192

Safety  
Performance  
OEM Standarts  
AYD Quality

WVA :25900-25901

### Technical Specifications:

Code	Shim	Wear Indicator	Indicator Type	Piston Spring	Compression Spring	Rivet	Clips	Bolt	Plastic Plug	Kit
60353A	4	-	-	8	-	-	-	-	-	-

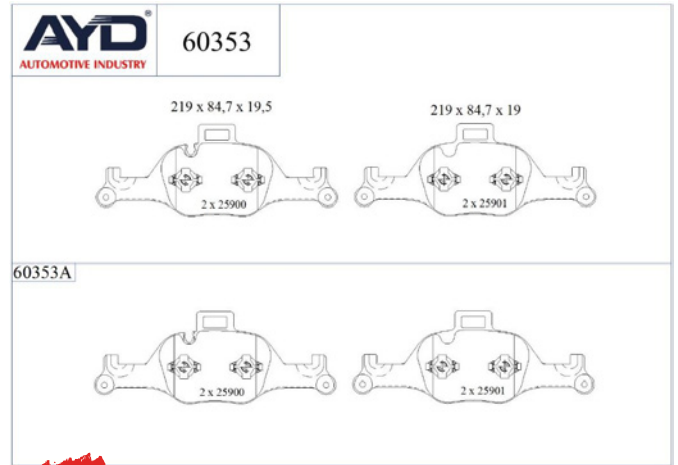
## BMW

MODEL	START D.	END Y.
2 Coupe (G42. G87)	2021/08	
3 (G20. G80. G28)	2018/11	
3 Touring (G21. G81)	2019/07	
3 Touring Van (G21)	2019/07	
4 Convertible (G23. G83)	2020/11	
4 Coupe (G22. G82)	2020/07	
4 Gran Coupe (G26)	2021/07	
5 (G30. F90)	2016/09	



## BRAKE PAD

11-60353



• Front Axle

OE:  
34106883469  
34106888482  
34106898192

• Safety  
• Performance  
• OEM Standarts  
• AYD Quality

WVA :25900-25901

### Technical Specifications:

Code	Shim	Wear Indicator	Indicator Type	Piston Spring	Compression Spring	Rivet	Clips	Bolt	Plastic Plug	Kit
60353A	4	-	-	8	-	-	-	-	-	-

## BMW

MODEL	START D.	END Y.
2 Coupe (G42. G87)	2021/08	
3 (G20. G80. G28)	2018/11	
3 Touring (G21. G81)	2019/07	
3 Touring Van (G21)	2019/07	
4 Convertible (G23. G83)	2020/11	
4 Coupe (G22. G82)	2020/07	
4 Gran Coupe (G26)	2021/07	
5 (G30. F90)	2016/09	

