



# BRAKE WITH THE DIFFERENCE

SAFETY

PERFORMANCE

OEM Standards

AYD QUALITY



AUGUST 2024

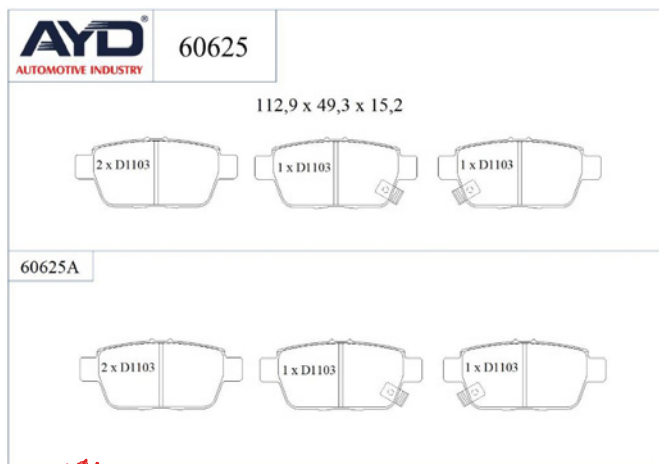
[www.aydtr.com](http://www.aydtr.com)

## INDEX

<b>ACURA</b> .....	<b>3</b>
<b>BMW</b> .....	<b>4</b>
<b>CHEVROLET</b> .....	<b>5</b>
<b>CHRYSLER</b> .....	<b>6</b>
<b>CITROEN</b> .....	<b>7</b>
<b>FIAT</b> .....	<b>8</b>
<b>FORD</b> .....	<b>9</b>
<b>HONDA</b> .....	<b>10-11</b>
<b>LEXUS</b> .....	<b>12-13</b>
<b>MAZDA</b> .....	<b>14-18</b>
<b>MITSUBISHI</b> .....	<b>19</b>
<b>JAGUAR</b> .....	<b>20</b>
<b>PORSCHE</b> .....	<b>21</b>
<b>SUBARU</b> .....	<b>22</b>
<b>TOYATA</b> .....	<b>23-25</b>
<b>VOLVO</b> .....	<b>26</b>

## BRAKE PAD

11-60625



• Rear Axle

OE:  
43022TK4A01

· Safety  
· Performance  
· OEM Standarts  
· AYD Quality

**WVA :25243-25244-25245**

### Technical Specifications:

Code	Shim	Wear Indicator	Indicator Type	Piston Spring	Compression Spring	Rivet	Clips	Bolt	Plastic Plug	Kit
60625A	4	2	-	-	-	-	-	-	-	-

## ACURA

MODEL	START D.	END Y.
TL (UA8. UA9)	2009/01	





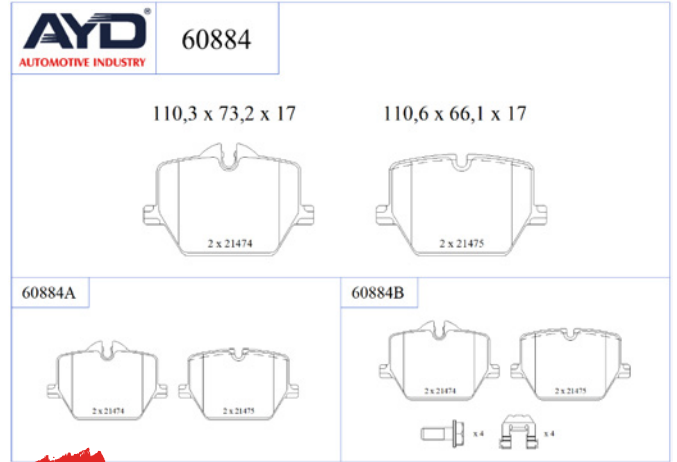
## BRAKE PAD

11-60884



• Rear Axle

OE:  
6888835



- Safety
- Performance
- OEM Standarts
- AYD Quality

**WVA :21474-21475**

### Technical Specifications:

Code	Shim	Wear Indicator	Indicator Type	Piston Spring	Compression Spring	Rivet	Clips	Bolt	Plastic Plug	Kit
60884A	4	-	-	-	-	-	-	-	-	-

## BMW

MODEL	START D.	END Y.
2 Coupe (G42. G87)	2021/08	
3 (G20. G80. G28)	2018/11	
3 Touring (G21. G81)	2019/07	
3 Touring Van (G21)	2019/07	
4 Convertible (G23. G83)	2020/11	
4 Coupe (G22. G82)	2020/07	
4 Gran Coupe (G26)	2021/07	
i4 (G26)	2021/11	



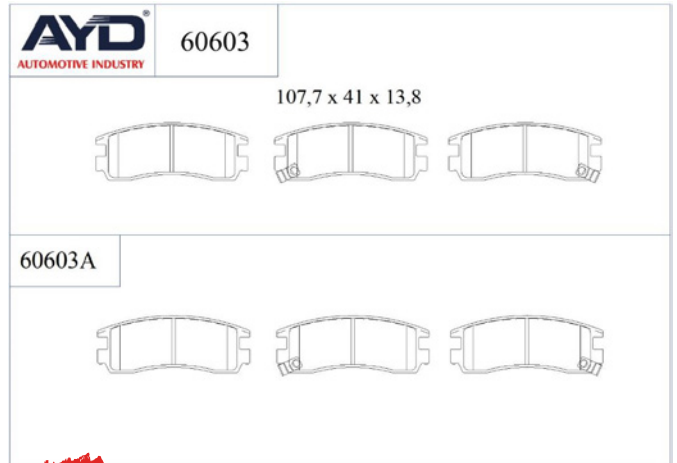
## BRAKE PAD

11-60603



• Rear Axle

OE:  
12510037



• Safety  
• Performance  
• OEM Standarts  
• AYD Quality

**WVA :23361-23362-23363**

### Technical Specifications:

Code	Shim	Wear Indicator	Indicator Type	Piston Spring	Compression Spring	Rivet	Clips	Bolt	Plastic Plug	Kit
60603A	4	2	-	-	-	-	-	-	-	-

## CHEVROLET

MODEL	START D.	END Y.
ALERO	1999/03	2004/09
IMPALA Saloon	1999/01	2005/12
LUMINA Saloon	1994/09	2001/12
MONTE CARLO Coupe	1999/09	2007/12
TRANS SPORT	1996/08	2005/09
TRANS SPORT (2U_)	1996/11	2003/09
VENTURE	1996/09	2005/12



## BRAKE PAD

11-60626



• Front Axle

OE:  
05174311AC

- Safety
- Performance
- OEM Standarts
- AYD Quality

**WVA :24075**

### Technical Specifications:

Code	Shim	Wear Indicator	Indicator Type	Piston Spring	Compression Spring	Rivet	Clips	Bolt	Plastic Plug	Kit
60626A	4	4	-	-	-	-	-	-	-	-

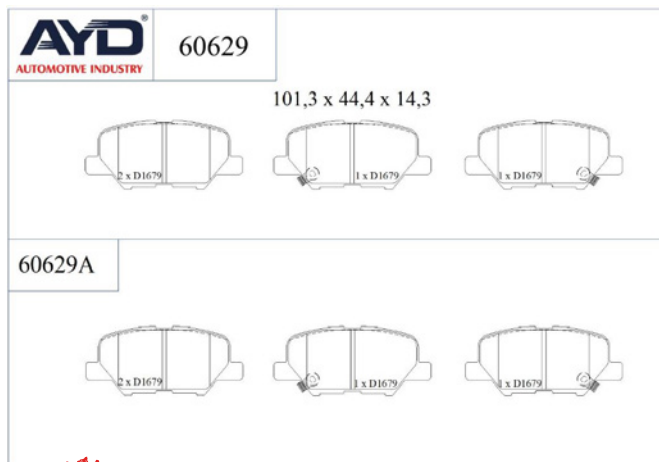
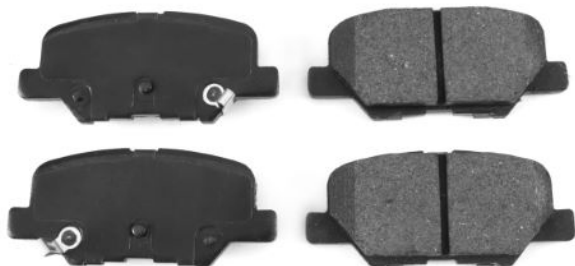
## CHRYSLER

MODEL	START D.	END Y.
300C (LX. LE)	2004/09	
300C (LX)	2010/09	
300C Touring (LX. LE)	2004/09	2010/12



## BRAKE PAD

11-60629



• Rear Axle

OE:  
1619790780

• Safety  
• Performance  
• OEM Standarts  
• AYD Quality

WVA :23688-23689-23690

### Technical Specifications:

Code	Shim	Wear Indicator	Indicator Type	Piston Spring	Compression Spring	Rivet	Clips	Bolt	Plastic Plug	Kit
60629A	4	2	-	-	-	-	-	-	-	-

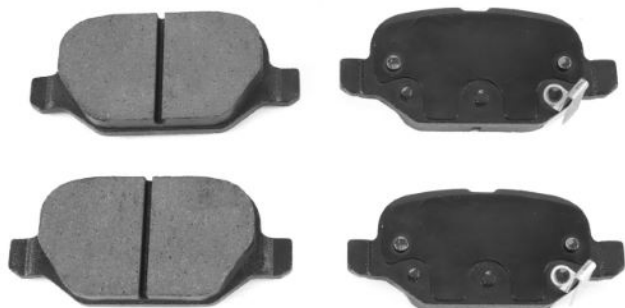
## CITROËN

MODEL	START D.	END Y.
C4 AIRCROSS	2010/08	



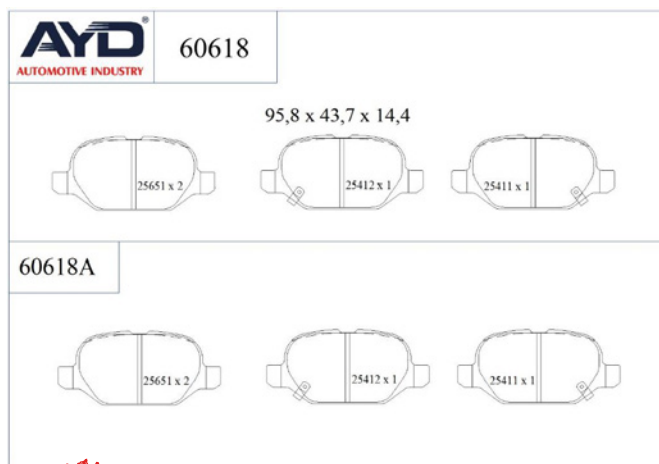
## BRAKE PAD

11-60618



• Rear Axle

OE:  
068088919AA



• Safety  
• Performance  
• OEM Standarts  
• AYD Quality

**WVA :25651-25412-25411**

### Technical Specifications:

Code	Shim	Wear Indicator	Indicator Type	Piston Spring	Compression Spring	Rivet	Clips	Bolt	Plastic Plug	Kit
60618A	4	2	-	-	-	-	-	-	-	-

## FIAT

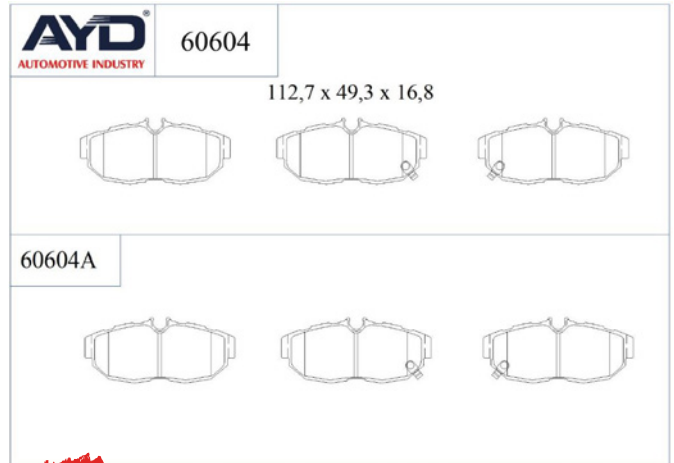
MODEL	START D.	END Y.
PANDA (312_ . 319_)	2012/02	
PANDA VAN (312_ . 519_)	2012/02	





## BRAKE PAD

11-60604



• Rear Axle

OE:  
BR3Z2200B

- Safety
- Performance
- OEM Standarts
- AYD Quality

**WVA :22360-22361-22362**

### Technical Specifications:

Code	Shim	Wear Indicator	Indicator Type	Piston Spring	Compression Spring	Rivet	Clips	Bolt	Plastic Plug	Kit
60604A	4	2	-	-	-	-	-	-	-	-

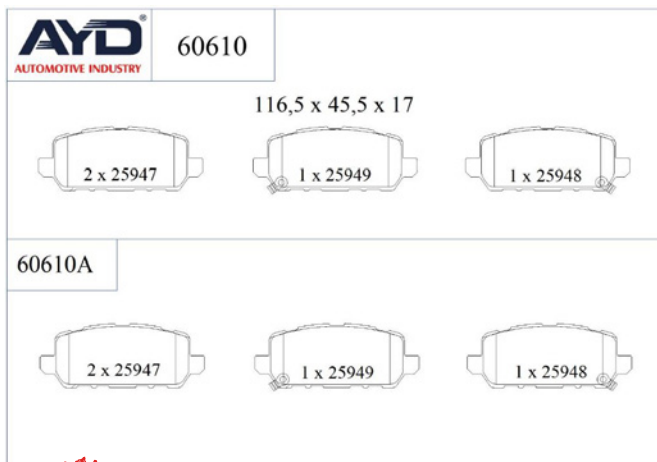
## FORD

MODEL	START D.	END Y.
MUSTANG Convertible	2005/09	
MUSTANG Coupe	2004/12	



## BRAKE PAD

11-60610



• Rear Axle

OE:  
43022T8MG00

- Safety
- Performance
- OEM Standarts
- AYD Quality

**WVA :25947-25948-25949**

### Technical Specifications:

Code	Shim	Wear Indicator	Indicator Type	Piston Spring	Compression Spring	Rivet	Clips	Bolt	Plastic Plug	Kit
60610A	4	2	-	-	-	-	-	-	-	-

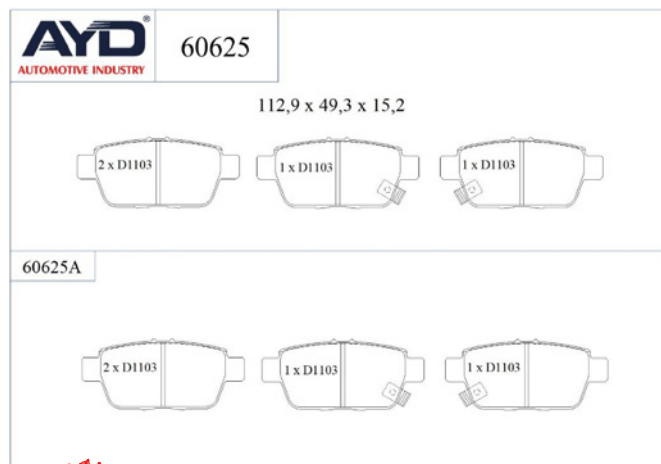
## HONDA

MODEL	START D.	END Y.
ACCORD IX Saloon (CR)	2012/09	
HR-V (RU)	2014/11	
VEZEL SUV (RU)	2013/09	



## BRAKE PAD

11-60625



• Rear Axle

OE:  
43022TK4A00

• Safety  
• Performance  
• OEM Standarts  
• AYD Quality

WVA :25243-25244-25245

### Technical Specifications:

Code	Shim	Wear Indicator	Indicator Type	Piston Spring	Compression Spring	Rivet	Clips	Bolt	Plastic Plug	Kit
60625A	4	2	-	-	-	-	-	-	-	-

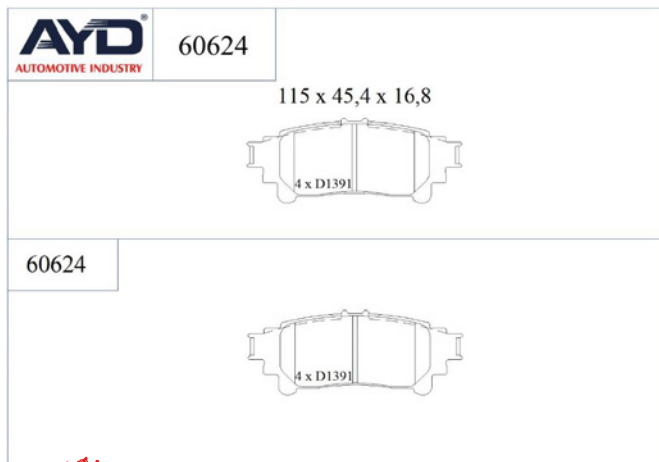
## HONDA

MODEL	START D.	END Y.
RIDGELINE (YK)	2005/03	2014/12



## BRAKE PAD

11-60624



• Rear Axle

OE:  
0446653020

Safety  
Performance  
OEM Standarts  
AYD Quality

WVA :25525

### Technical Specifications:

Code	Shim	Wear Indicator	Indicator Type	Piston Spring	Compression Spring	Rivet	Clips	Bolt	Plastic Plug	Kit
60624A	4	-	-	-	-	-	-	-	-	-

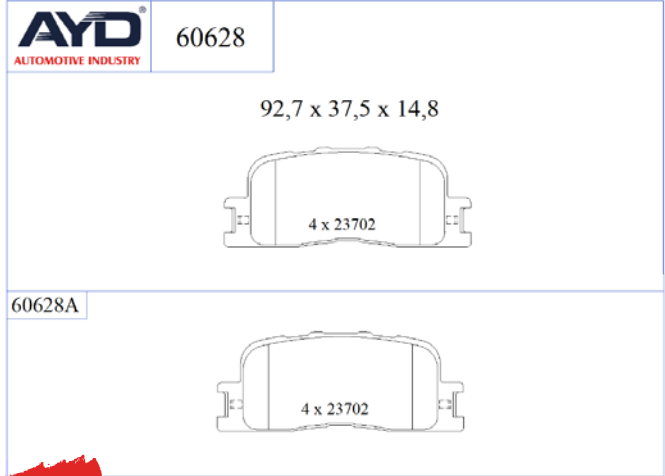
## LEXUS

MODEL	START D.	END Y.
GS (_L1_)	2011/08	
IS II (_E2_)	2005/08	2013/04
IS III (_E3_)	2013/04	
RC (_C1_)	2014/08	



## BRAKE PAD

11-60628



• Rear Axle

OE:  
0446633140

- Safety
- Performance
- OEM Standarts
- AYD Quality

**WVA :23702**

### Technical Specifications:

Code	Shim	Wear Indicator	Indicator Type	Piston Spring	Compression Spring	Rivet	Clips	Bolt	Plastic Plug	Kit
60628A	4	-	-	-	-	-	-	-	-	-

## LEXUS

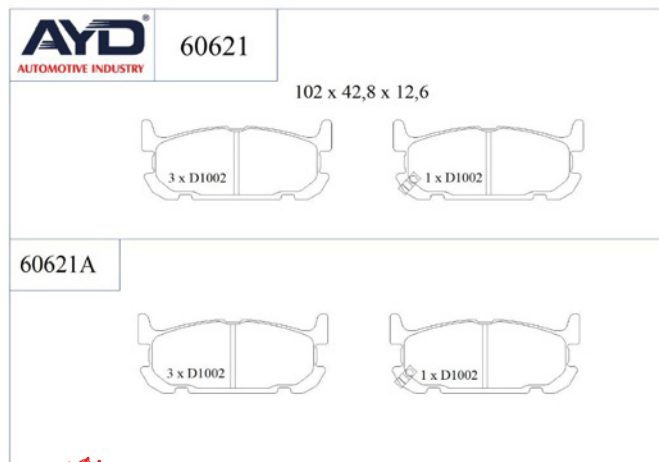
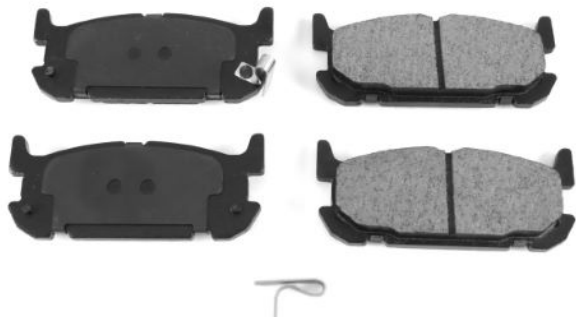
MODEL	START D.	END Y.
ES (MCV_ VZV_)	1996/08	2008/06





### BRAKE PAD

11-60621



• Rear Axle

OE:  
NCY32643Z

- Safety
- Performance
- OEM Standarts
- AYD Quality

WVA :24029-24030

#### Technical Specifications:

Code	Shim	Wear Indicator	Indicator Type	Piston Spring	Compression Spring	Rivet	Clips	Bolt	Plastic Plug	Kit
60621A	4	2	-	-	-	-	-	-	-	-

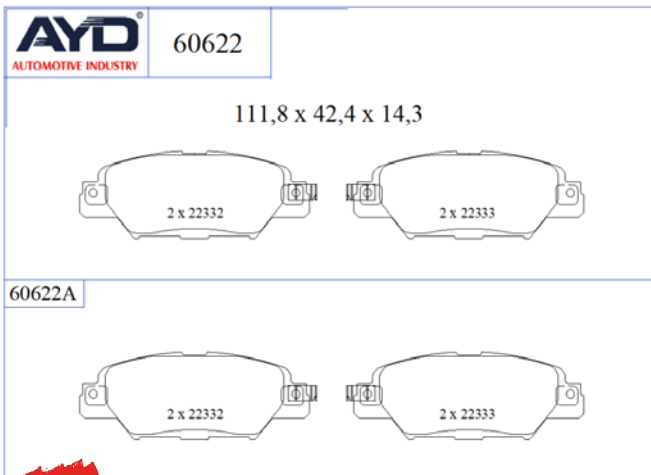
## MAZDA

MODEL	START D.	END Y.
MX-5 II (NB)	1998/01	2005/10



## BRAKE PAD

11-60622



• Rear Axle

OE:  
KAY02648A

· Safety  
· Performance  
· OEM Standarts  
· AYD Quality

**WVA :22332-22333**

### Technical Specifications:

Code	Shim	Wear Indicator	Indicator Type	Piston Spring	Compression Spring	Rivet	Clips	Bolt	Plastic Plug	Kit
60622A	4	-	-	-	4	-	-	-	-	-

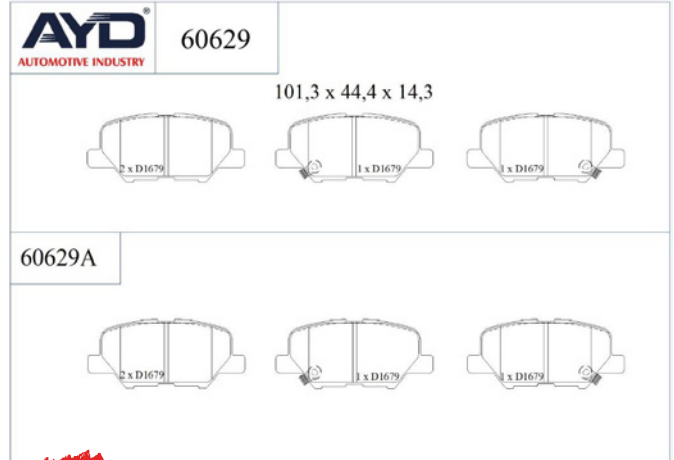
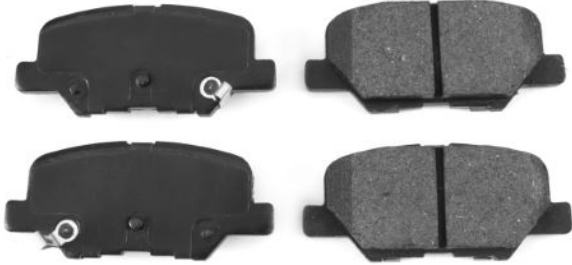
## MAZDA

MODEL	START D.	END Y.
CX-5 (KF)	2016/11	



**BRAKE PAD**

11-60629



• Rear Axle

OE:  
BJY72648ZA

- Safety
- Performance
- OEM Standarts
- AYD Quality

**WVA :23688-23689-23690**

**Technical Specifications:**

Code	Shim	Wear Indicator	Indicator Type	Piston Spring	Compression Spring	Rivet	Clips	Bolt	Plastic Plug	Kit
60629A	4	2	-	-	-	-	-	-	-	-

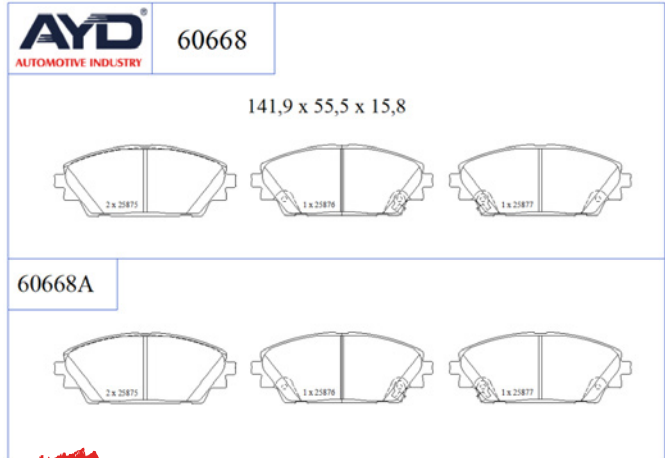
**MAZDA**

MODEL	START D.	END Y.
6 Estate (GJ. GL)	2012/08	
6 Estate Van (GJ)	2013/01	2016/05
6 Saloon (GJ. GL)	2012/12	



## BRAKE PAD

11-60668



• Front Axle

**WVA :25875-25876-25877**

OE:  
DFY53328Z

· Safety  
· Performance  
· OEM Standarts  
· AYD Quality

### Technical Specifications:

Code	Shim	Wear Indicator	Indicator Type	Piston Spring	Compression Spring	Rivet	Clips	Bolt	Plastic Plug	Kit
60668A	4	2	-	-	-	-	-	-	-	-

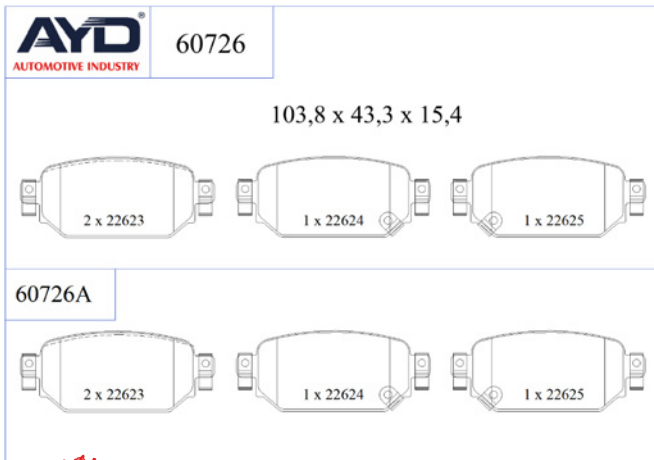
## MAZDA

MODEL	START D.	END Y.
3 (BM. BN)	2013/07	2019/05
3 Saloon (BM_ . BN_)	2013/09	2019/12
CX-3 (DK)	2015/01	
CX-30 (DM)	2019/04	



### BRAKE PAD

11-60726



• Rear Axle

OE:  
BAY02648ZA

• Safety  
• Performance  
• OEM Standarts  
• AYD Quality

WVA :22623-22624-22625

#### Technical Specifications:

Code	Shim	Wear Indicator	Indicator Type	Piston Spring	Compression Spring	Rivet	Clips	Bolt	Plastic Plug	Kit
60726A	4	2	-	-	8	-	-	-	-	-

## MAZDA

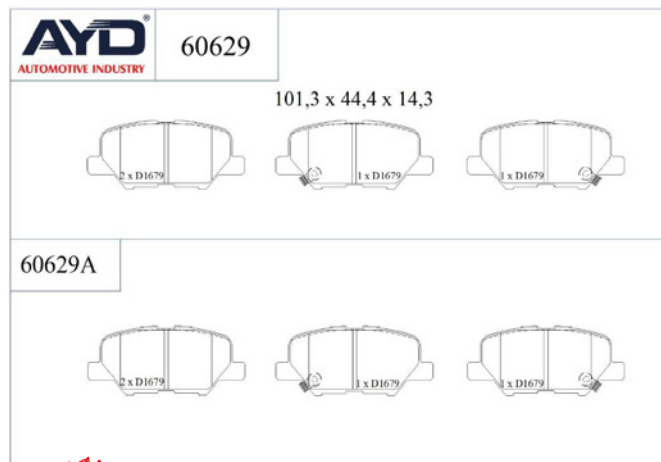
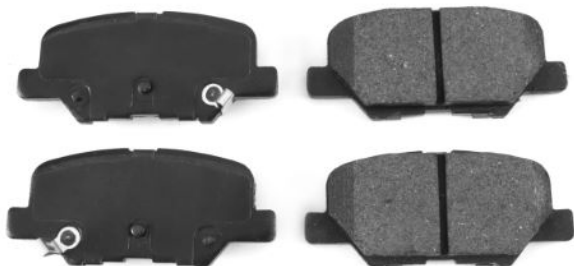
MODEL	START D.	END Y.
3 Saloon (BM_ . BN_)	2013/09	2019/12
CX-3 (DK)	2015/01	





### BRAKE PAD

11-60629



• Rear Axle

OE:  
4605A802

• Safety  
• Performance  
• OEM Standarts  
• AYD Quality

WVA :23688-23689-23690

#### Technical Specifications:

Code	Shim	Wear Indicator	Indicator Type	Piston Spring	Compression Spring	Rivet	Clips	Bolt	Plastic Plug	Kit
60629A	4	2	-	-	-	-	-	-	-	-

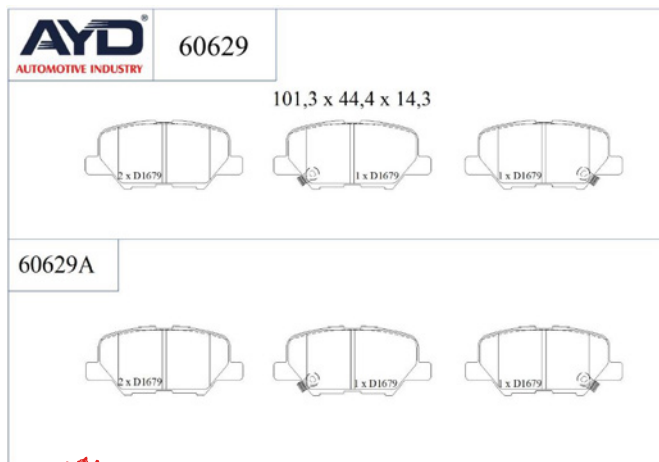
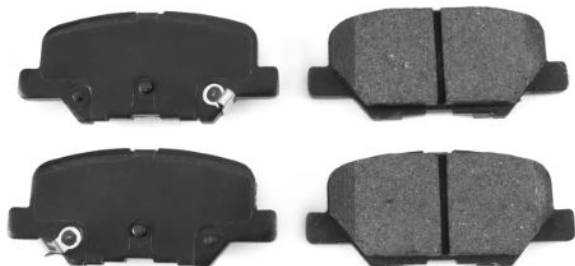
## MITSUBISHI

MODEL	START D.	END Y.
ASX (GA_W_)	2009/11	
ASX Van (GA_W_)	2010/06	
OUTLANDER III (GG_W. GF_W. ZJ. ZL. ZK)	2010/11	
OUTLANDER III Van (GF_W. GG_W)	2010/11	



## BRAKE PAD

11-60629



• Rear Axle

OE:  
1635677180

• Safety  
• Performance  
• OEM Standarts  
• AYD Quality

WVA :23688-23689-23690

### Technical Specifications:

Code	Shim	Wear Indicator	Indicator Type	Piston Spring	Compression Spring	Rivet	Clips	Bolt	Plastic Plug	Kit
60629A	4	2	-	-	-	-	-	-	-	-

## PEUGEOT

MODEL	START D.	END Y.
4008	2012/05	



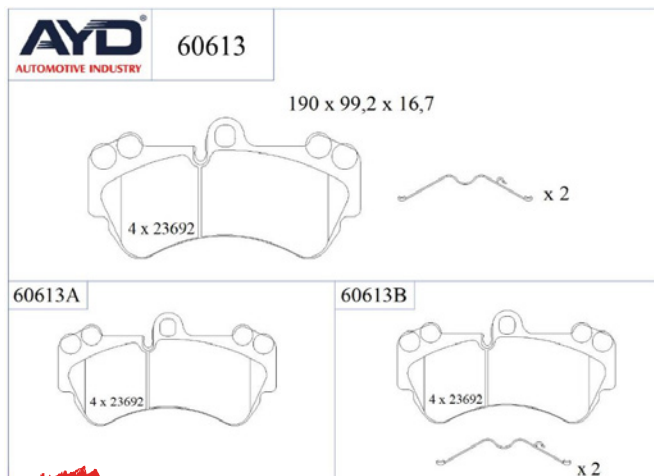
## BRAKE PAD

11-60613



• Front Axle

OE:  
7L0698151D



- Safety
- Performance
- OEM Standarts
- AYD Quality

**WVA :23692**

### Technical Specifications:

Code	Shim	Wear Indicator	Indicator Type	Piston Spring	Compression Spring	Rivet	Clips	Bolt	Plastic Plug	Kit
60613A	4	-	-	-	-	-	-	-	-	-
60613B	4	-	-	-	-	-	2	-	-	-

## PORSCHE

MODEL	START D.	END Y.
CAYENNE (9PA)	2002/09	2010/12



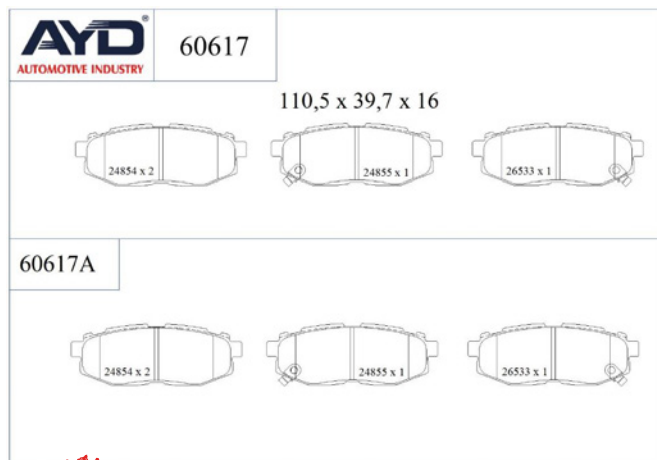
## BRAKE PAD

11-60617



• Rear Axle

OE:  
26696XA011



• Safety  
• Performance  
• OEM Standarts  
• AYD Quality

WVA :24854-24855

### Technical Specifications:

Code	Shim	Wear Indicator	Indicator Type	Piston Spring	Compression Spring	Rivet	Clips	Bolt	Plastic Plug	Kit
60617A	4	2	-	-	-	-	-	-	-	-

## SUBARU

MODEL	START D.	END Y.
BRZ (ZC6)	2012/06	
FORESTER (SJ_)	2012/11	
IMPREZA Hatchback (GR. GH. G3)	2007/03	2014/05
IMPREZA Saloon (GE. GV)	2007/01	
LEGACY V (BM)	2009/05	
LEGACY V Estate (BR)	2008/06	2014/12
OUTBACK (BR)	2009/06	
TRIBECA (B9)	2005/01	



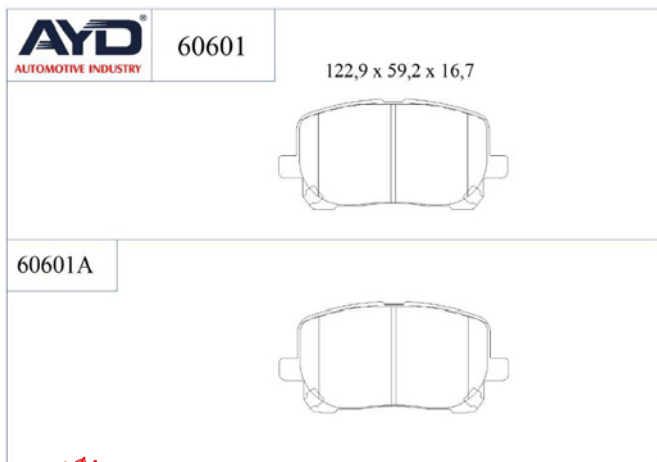
## BRAKE PAD

11-60601



• Front Axle

OE:  
0446502070



· Safety  
· Performance  
· OEM Standarts  
· AYD Quality

WVA :23836

### Technical Specifications:

Code	Shim	Wear Indicator	Indicator Type	Piston Spring	Compression Spring	Rivet	Clips	Bolt	Plastic Plug	Kit
60601A	4	2	-	-	-	-	-	-	-	-

## TOYOTA

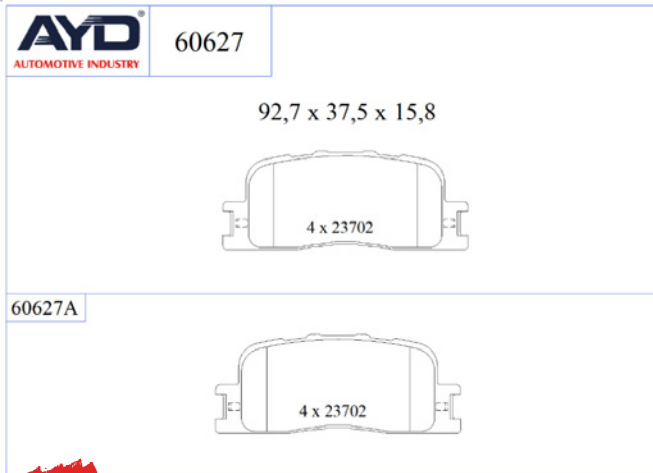
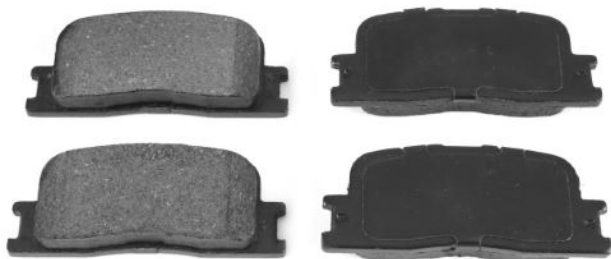
MODEL	START D.	END Y.
AVENSIS VERSO (_M2_)	2001/05	2011/12
NOAH/VOXY (_R6_)	2001/11	2007/06





### BRAKE PAD

11-60627



• Rear Axle

OE:  
A213501090

- Safety
- Performance
- OEM Standarts
- AYD Quality

WVA :23702

#### Technical Specifications:

Code	Shim	Wear Indicator	Indicator Type	Piston Spring	Compression Spring	Rivet	Clips	Bolt	Plastic Plug	Kit
60627A	4	-	-	-	-	-	-	-	-	-

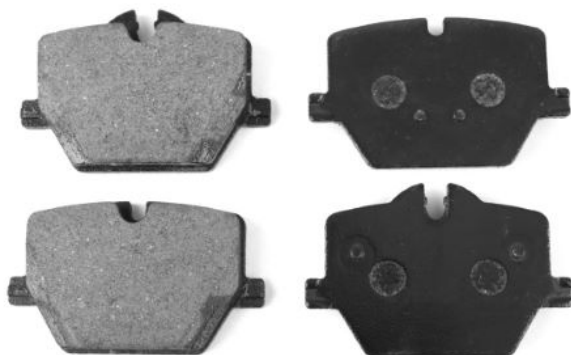
## TOYOTA

MODEL	START D.	END Y.
CALDINA Estate (_T24_)	2002/09	2007/06
CAMRY Saloon (_V3_)	2001/08	2006/11
HIGHLANDER / KLUGER (_U2_)	2000/06	2010/12
WINDOM (_V3_)	2001/08	2006/03
WISH MPV (_E1_)	2003/01	2009/03
WISH MPV (_E2_)	2009/04	2018/05



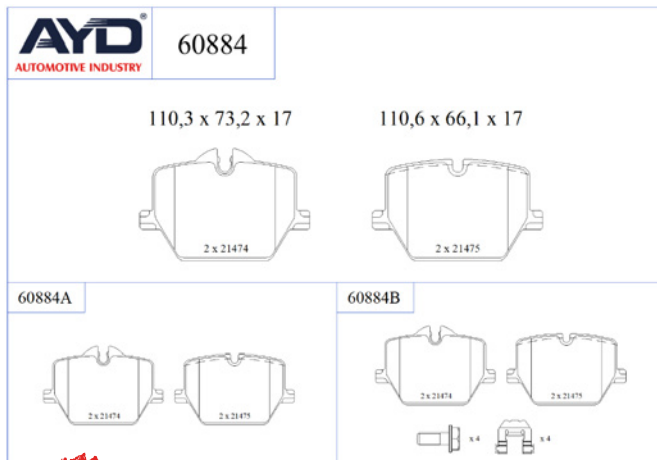
## BRAKE PAD

11-60884



• Rear Axle

OE:  
04466WAA03



- Safety
- Performance
- OEM Standarts
- AYD Quality

**WVA :21474-21475**

### Technical Specifications:

Code	Shim	Wear Indicator	Indicator Type	Piston Spring	Compression Spring	Rivet	Clips	Bolt	Plastic Plug	Kit
60884A	4	-	-	-	-	-	-	-	-	-

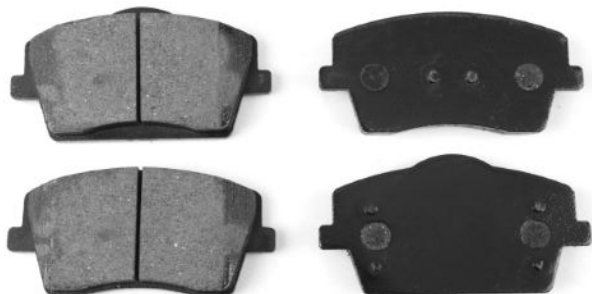
## TOYOTA

MODEL	START D.	END Y.
SUPRA (DB_)	2019/03	



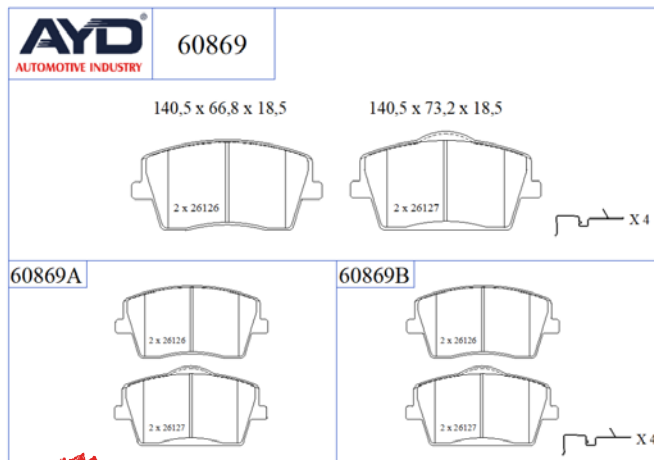
## BRAKE PAD

11-60869



• Front Axle

OE:  
31471408 / 31471407 / 32276931



• Safety  
• Performance  
• OEM Standarts  
• AYD Quality

**WVA :26126-26127**

### Technical Specifications:

Code	Shim	Wear Indicator	Indicator Type	Piston Spring	Compression Spring	Rivet	Clips	Bolt	Plastic Plug	Kit
60869A	4	-	-	-	-	-	-	-	-	-
60869B	4	-	-	-	-	-	4	-	-	-

## VOLVO

MODEL	START D.	END Y.
XC40 (536)	2017/10	

