



BRAKING

THE DIFFERENCE

SAFETY

PERFORMANCE

OEM Standards

AYD QUALITY



JANUARY 2025

www.aydtr.com

INDEX

BRAKE DISC

| | |
|----------------------------|--------------|
| ACURA | 3-6 |
| BMW | 7 |
| CHEVROLET | 8-9 |
| FORD | 10-12 |
| GMC | 13-14 |
| HONDA | 15-16 |
| HYUNDAI | 17-18 |
| INFINITI | 19 |
| LEXUS | 20-23 |
| LINCOLN | 24 |
| LYNK & CO | 25 |
| MAZDA | 26 |
| MG | 27 |
| MINI | 28 |
| MITSUBISHI | 29 |
| NISSAN | 30 |
| ROVER | 31 |
| SUBARU | 32-33 |
| SUZUKI | 34-35 |
| TOYOTA | 36-40 |
| VOLVO | 41-42 |

BRAKE DISC

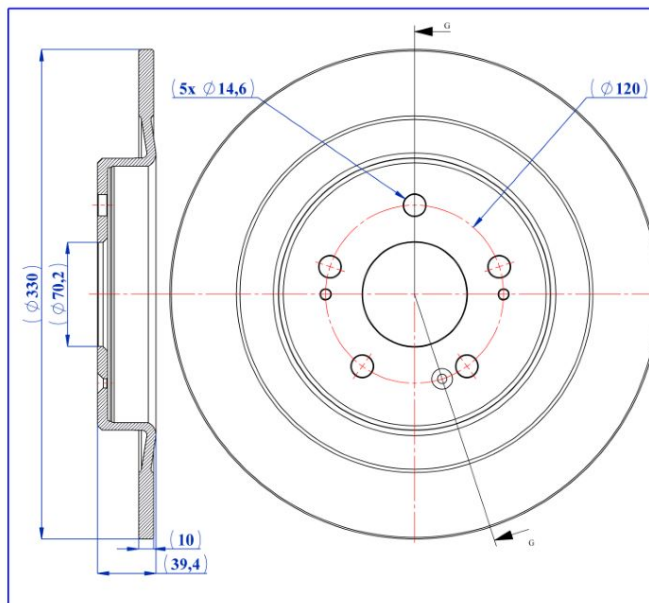
- Rear Axle
- solid

- Safety
- Performance
- OEM Standarts
- AYD Quality



OE:
42510TGVA00

10-51463



AYD NO
10-51463

MATERIAL
TYPE-1

WEIGHT
5,45 KG

BALANCING
100 %



Technical Specifications:

| Diameter (mm) | Height (mm) | Brake Disc Thickness (mm) | Min. Thickness (mm) | Centering Diameter (mm) | Bolt Hole Circle (mm) | Num. of Holes |
|---------------|-------------|---------------------------|---------------------|-------------------------|-----------------------|---------------|
| 330 | 39.4 | 10 | 8 | 70.2 | 120 | 5+3 |

ACURA

| MODEL | START Y. | END Y. |
|-----------|----------|--------|
| TLX (UB_) | 2019/07 | |



BRAKE DISC

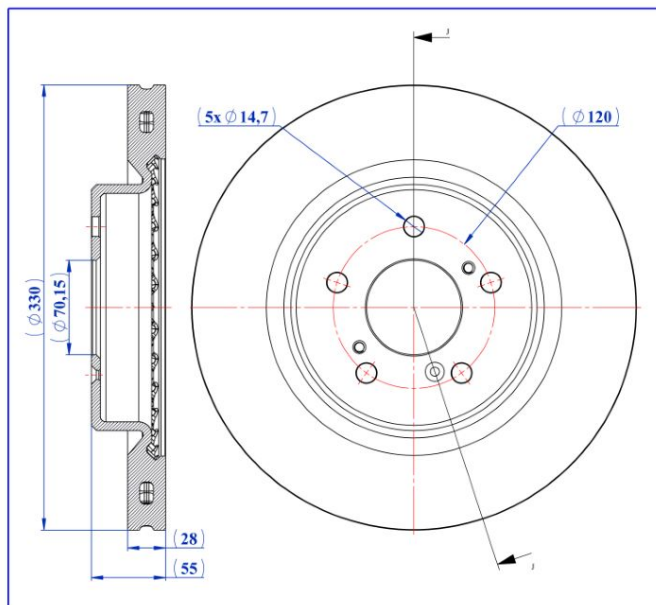
- Front Axle
- Vented

- Safety
- Performance
- OEM Standarts
- AYD Quality



OE:
45251TGVA01 / 45251TGVA11

10-51482



AYD NO
10-51482

MATERIAL
TYPE-1

WEIGHT
9,62 KG

BALANCING
100 %



Technical Specifications:

| Diameter (mm) | Height (mm) | Brake Disc Thickness (mm) | Min. Thickness (mm) | Centering Diameter (mm) | Bolt Hole Circle (mm) | Num. of Holes |
|---------------|-------------|---------------------------|---------------------|-------------------------|-----------------------|---------------|
| 330 | 55 | 28 | 26 | 70.15 | 120 | 5+3 |

ACURA

| MODEL | START Y. | END Y. |
|-----------|----------|--------|
| TLX (UB_) | 2019/07 | |



BRAKE DISC

- Rear Axle
- solid

- Safety
- Performance
- OEM Standarts
- AYD Quality



OE:
42510TZ3A51 / 42510TZ3A50

10-51483

| | |
|-----------|----------|
| | |
| AYD NO | 10-51483 |
| MATERIAL | TYPE-1 |
| WEIGHT | 4.94 KG |
| BALANCING | 100 % |

Technical Specifications:

| Diameter (mm) | Height (mm) | Brake Disc Thickness (mm) | Min. Thickness (mm) | Centering Diameter (mm) | Bolt Hole Circle (mm) | Num. of Holes |
|---------------|-------------|---------------------------|---------------------|-------------------------|-----------------------|---------------|
| 310 | 38.4 | 10 | 8 | 64.13 | 114.3 | 5+3 |

ACURA

| MODEL | START Y. | END Y. |
|-------|----------|--------|
| TLX | 2014/07 | |



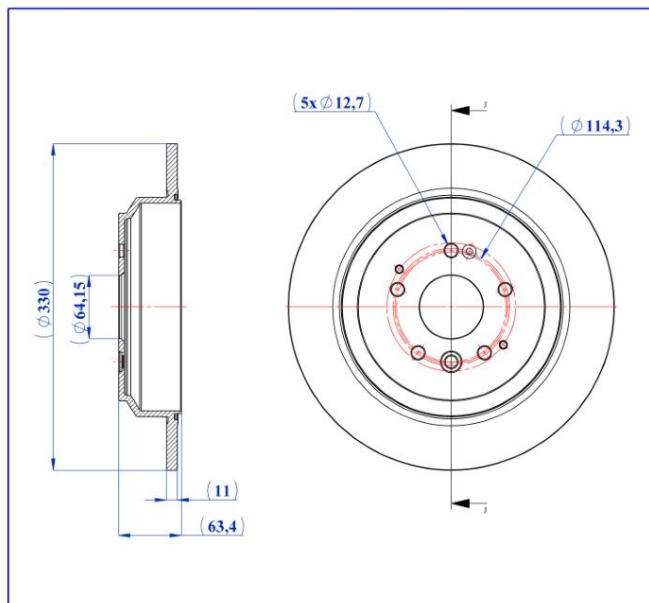
BRAKE DISC

- Rear Axle
- solid

- Safety
- Performance
- OEM Standarts
- AYD Quality



OE:
42510TZ5A03 / 42510TZ5A02 /
42510TZ5A01



AYD NO
10-51484

MATERIAL
TYPE-1

WEIGHT
6.5 KG

BALANCING
100 %



10-51484

Technical Specifications:

| Diameter (mm) | Height (mm) | Brake Disc Thickness (mm) | Min. Thickness (mm) | Centering Diameter (mm) | Bolt Hole Circle (mm) | Num. of Holes |
|---------------|-------------|---------------------------|---------------------|-------------------------|-----------------------|---------------|
| 330 | 63.4 | 11 | 8 | 64.15 | 114.3 | 5+4 |

ACURA

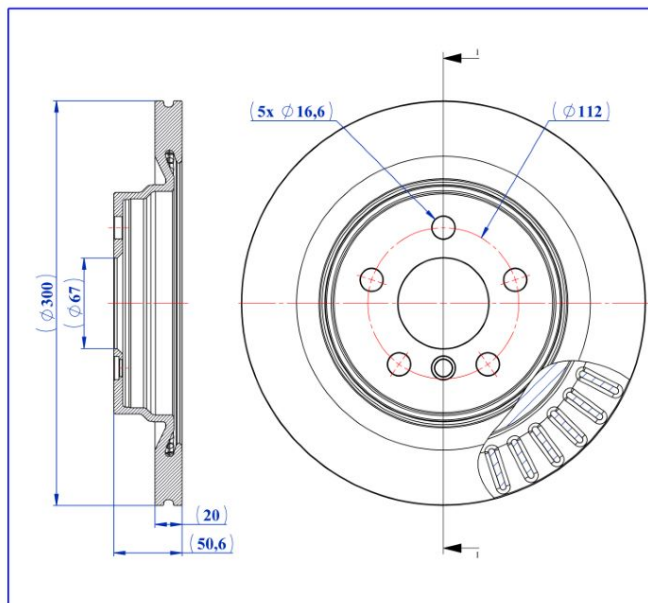
| MODEL | START Y. | END Y. |
|-----------|----------|--------|
| MDX (YD_) | 2013/06 | |



BRAKE DISC

- Rear Axle
- Vented

- Safety
- Performance
- OEM Standarts
- AYD Quality



AYD NO
10-51480

MATERIAL
TYPE-1

WEIGHT
5,76 KG

BALANCING
100 %



OE:
34216799369

10-51480

Technical Specifications:

| Diameter (mm) | Height (mm) | Brake Disc Thickness (mm) | Min. Thickness (mm) | Centering Diameter (mm) | Bolt Hole Circle (mm) | Num. of Holes |
|---------------|-------------|---------------------------|---------------------|-------------------------|-----------------------|---------------|
| 300 | 50.6 | 20 | 18.4 | 67 | 112 | 5+1 |

BMW

| MODEL | START Y. | END Y. |
|-------------------------|----------|---------|
| 1 (F40) | 2019/07 | |
| 2 Active Tourer (F45) | 2013/11 | 2021/10 |
| 2 Active Tourer (U06) | 2021/11 | |
| 2 Gran Coupe (F44) | 2019/11 | |
| 2 Gran Tourer (F46) | 2014/07 | |
| 2 Gran Tourer Van (F46) | 2014/07 | |
| iX (I20) | 2021/07 | |
| X1 (F48) | 2014/11 | 2022/12 |
| X1 (U11) | 2022/07 | |
| X1 Van (F48) | 2015/07 | 2022/06 |
| X2 (F39) | 2017/11 | 2023/10 |



BRAKE DISC

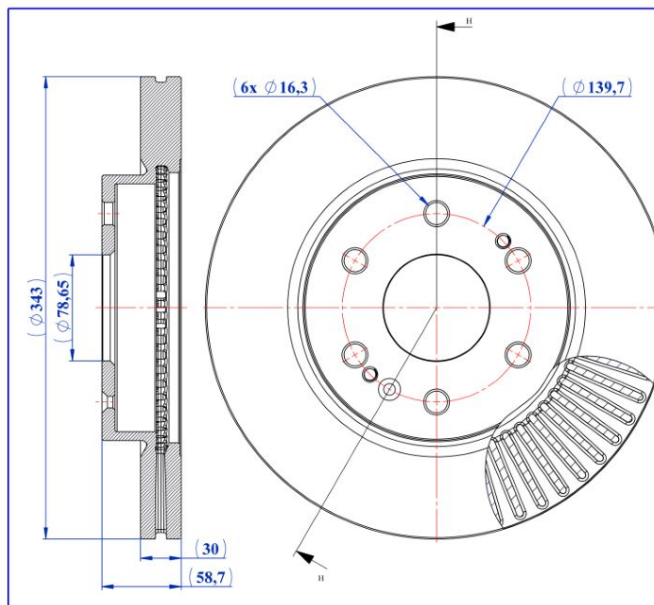
- Front Axle
- Vented

- Safety
- Performance
- OEM Standarts
- AYD Quality



OE:
13514522 / 13542112 / 13553983

10-51471

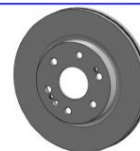


AYD NO
10-51471

MATERIAL
TYPE-1

WEIGHT
13,28 KG

BALANCING
100 %



Technical Specifications:

| Diameter (mm) | Height (mm) | Brake Disc Thickness (mm) | Min. Thickness (mm) | Centering Diameter (mm) | Bolt Hole Circle (mm) | Num. of Holes |
|---------------|-------------|---------------------------|---------------------|-------------------------|-----------------------|---------------|
| 343 | 58.7 | 30 | 28 | 78.65 | 139.7 | 6+3 |

CHEVROLET

| MODEL | START Y. | END Y. |
|---|----------|--------|
| SILVERADO 1500 Crew Cab Pickup (GMT1CC) | 2018/08 | |
| SILVERADO 1500 Extended Cab Pickup (GMT1EC) | 2018/08 | |
| SUBURBAN (GMT1YC) | 2020/07 | |
| TAHOE (GMT1UC) | 2020/07 | |



BRAKE DISC



- Rear Axle
- Vented

- Safety
- Performance
- OEM Standarts
- AYD Quality



OE:
13542117 / 13552815 / 84582015

10-51472

| | |
|---|--|
|  | |
| AYD NO 10-51472 | |
| MATERIAL TYPE-1 | |
| WEIGHT 8,34 KG | |
| BALANCING 100 % | |
|  | |

Technical Specifications:

| Diameter (mm) | Height (mm) | Brake Disc Thickness (mm) | Min. Thickness (mm) | Centering Diameter (mm) | Bolt Hole Circle (mm) | Num. of Holes |
|---------------|-------------|---------------------------|---------------------|-------------------------|-----------------------|---------------|
| 345 | 52.6 | 20 | 18 | 78.65 | 139.7 | 6+3 |

CHEVROLET

| MODEL | START Y. | END Y. |
|---|----------|--------|
| SILVERADO 1500 Crew Cab Pickup (GMT1CC) | 2018/08 | |
| SILVERADO 1500 Extended Cab Pickup (GMT1EC) | 2018/08 | |
| SUBURBAN (GMT1YC) | 2020/07 | |
| TAHOE (GMT1UC) | 2020/07 | |



BRAKE DISC

- Front Axle
- Vented

- Safety
- Performance
- OEM Standarts
- AYD Quality



OE:
2384229 / L1TC1125AA

10-51479

| | |
|-------------------------|-----------------|
| AYD [®] | |
| AUTOMOTIVE INDUSTRY | |
| AYD NO | 10-51479 |
| MATERIAL | TYPE-1 |
| WEIGHT | 6,67 KG |
| BALANCING | 100 % |

Technical Specifications:

| Diameter (mm) | Height (mm) | Brake Disc Thickness (mm) | Min. Thickness (mm) | Centering Diameter (mm) | Bolt Hole Circle (mm) | Num. of Holes |
|---------------|-------------|---------------------------|---------------------|-------------------------|-----------------------|---------------|
| 278 | 43.9 | 25 | 23 | 63.5 | 107.95 | 5 |

FORD

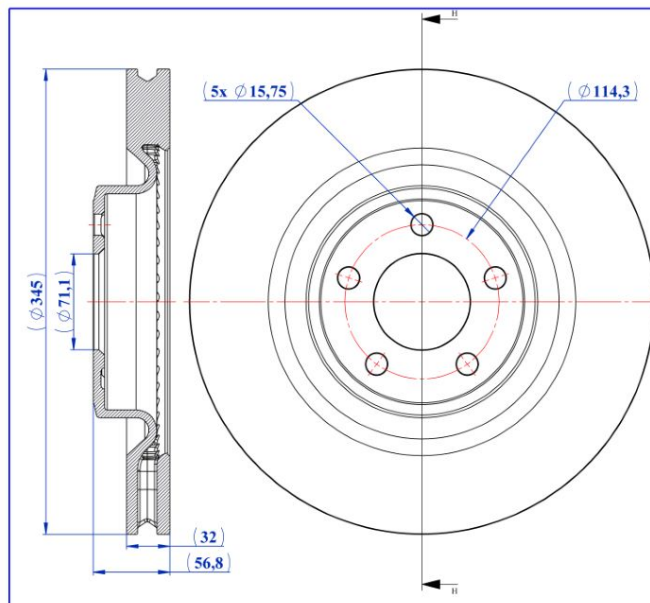
| MODEL | START Y. | END Y. |
|-----------------|----------|--------|
| PUMA (J2K. CF7) | 2019/09 | |



BRAKE DISC

- Front Axle
- Vented

- Safety
- Performance
- OEM Standarts
- AYD Quality



AYD NO
10-51473

MATERIAL
TYPE-1

WEIGHT
11,1 KG

BALANCING
100 %



OE:
L1MZ1125A

10-51473

Technical Specifications:

| Diameter (mm) | Height (mm) | Brake Disc Thickness (mm) | Min. Thickness (mm) | Centering Diameter (mm) | Bolt Hole Circle (mm) | Num. of Holes |
|---------------|-------------|---------------------------|---------------------|-------------------------|-----------------------|---------------|
| 345 | 56.8 | 32 | 30.5 | 71.1 | 114.3 | 5 |

FORD USA

| MODEL | START Y. | END Y. |
|----------------|----------|--------|
| EXPLORER (U6_) | 2019/07 | |



BRAKE DISC

- Rear Axle
- Vented

- Safety
- Performance
- OEM Standarts
- AYD Quality



OE:
L1MZ2C026C

10-51474

| | |
|---------------------------|--|
| | |
| AYD NO 10-51474 | |
| MATERIAL TYPE-1 | |
| WEIGHT 9,31 KG | |
| BALANCING 100 % | |
| | |

Technical Specifications:

| Diameter (mm) | Height (mm) | Brake Disc Thickness (mm) | Min. Thickness (mm) | Centering Diameter (mm) | Bolt Hole Circle (mm) | Num. of Holes |
|---------------|-------------|---------------------------|---------------------|-------------------------|-----------------------|---------------|
| 350.2 | 39.2 | 26 | 24.5 | 71.1 | 114.3 | 5 |

FORD USA

| MODEL | START Y. | END Y. |
|----------------|----------|--------|
| EXPLORER (U6_) | 2019/07 | |



BRAKE DISC

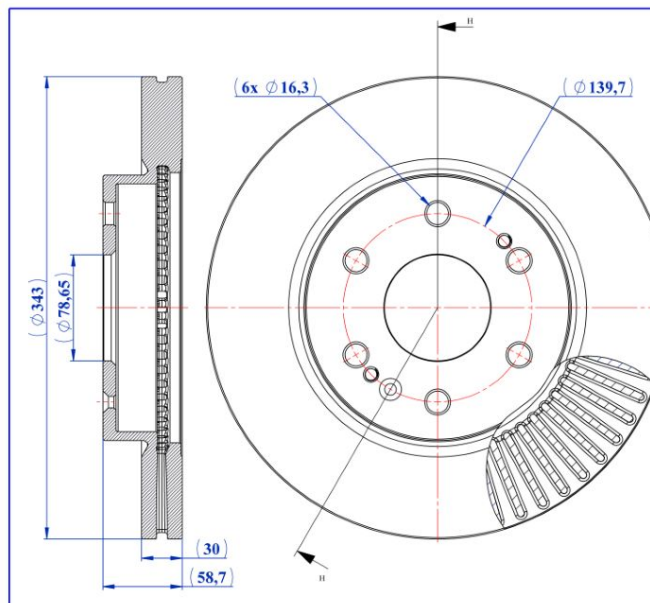
- Front Axle
- Vented

- Safety
- Performance
- OEM Standarts
- AYD Quality



OE:
13514522

10-51471



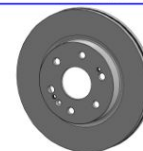
AYD[®]
AUTOMOTIVE INDUSTRY

AYD NO
10-51471

MATERIAL
TYPE-1

WEIGHT
13,28 KG

BALANCING
100 %



Technical Specifications:

| Diameter (mm) | Height (mm) | Brake Disc Thickness (mm) | Min. Thickness (mm) | Centering Diameter (mm) | Bolt Hole Circle (mm) | Num. of Holes |
|---------------|-------------|---------------------------|---------------------|-------------------------|-----------------------|---------------|
| 343 | 58.7 | 30 | 28 | 78.65 | 139.7 | 6+3 |

GMC

| MODEL | START Y. | END Y. |
|----------------|----------|--------|
| YUKON (GMT1UG) | 2020/07 | |



BRAKE DISC

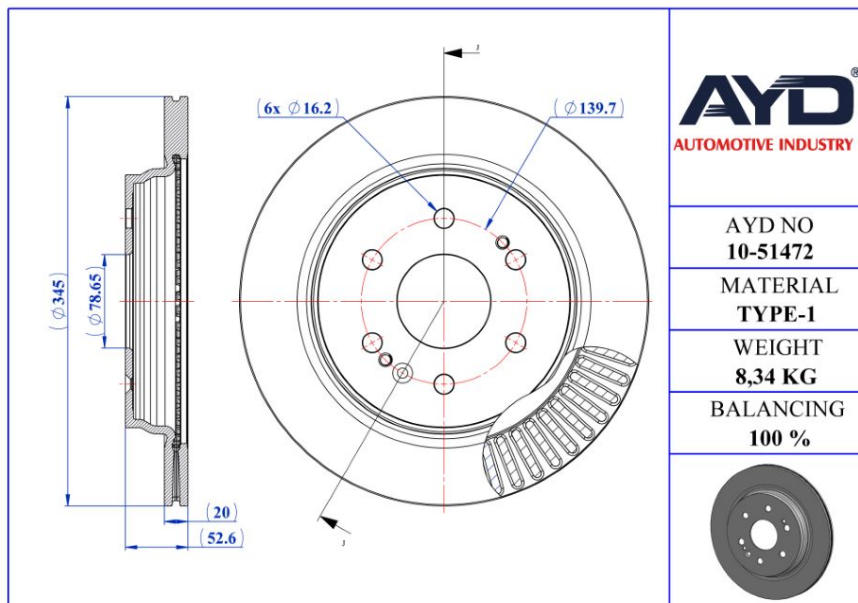
- Rear Axle
- Vented

- Safety
- Performance
- OEM Standarts
- AYD Quality



OE:
13542117 / 13514114 / 13531113

10-51472



AYD[®]
AUTOMOTIVE INDUSTRY

AYD NO
10-51472

MATERIAL
TYPE-1

WEIGHT
8,34 KG

BALANCING
100 %



Technical Specifications:

| Diameter (mm) | Height (mm) | Brake Disc Thickness (mm) | Min. Thickness (mm) | Centering Diameter (mm) | Bolt Hole Circle (mm) | Num. of Holes |
|---------------|-------------|---------------------------|---------------------|-------------------------|-----------------------|---------------|
| 345 | 52.6 | 20 | 18 | 78.65 | 139.7 | 6+3 |

GMC

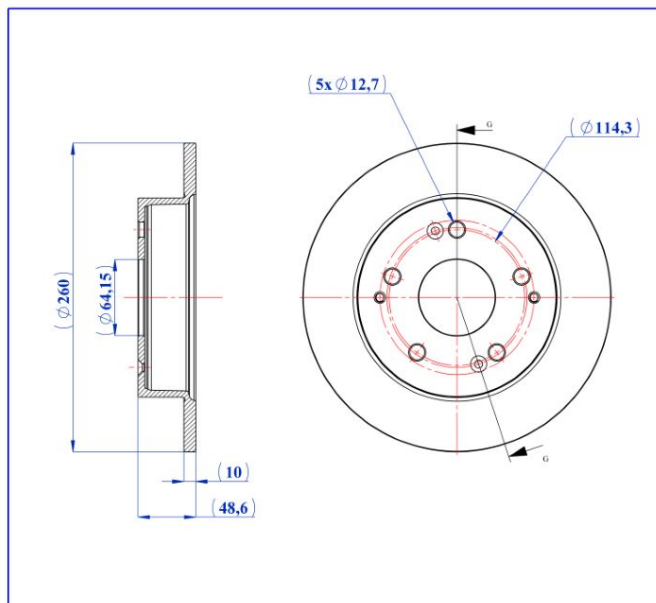
| MODEL | START Y. | END Y. |
|----------------|----------|--------|
| YUKON (GMT1UG) | 2020/07 | |



BRAKE DISC

- Rear Axle
- solid

- Safety
- Performance
- OEM Standarts
- AYD Quality



AYD NO
10-51485

MATERIAL
TYPE-1

WEIGHT
3.7 KG

BALANCING
100 %



OE:
42510S5TE00

10-51485

Technical Specifications:

| Diameter (mm) | Height (mm) | Brake Disc Thickness (mm) | Min. Thickness (mm) | Centering Diameter (mm) | Bolt Hole Circle (mm) | Num. of Holes |
|---------------|-------------|---------------------------|---------------------|-------------------------|-----------------------|---------------|
| 260 | 48.6 | 10 | 8 | 64.15 | 114.3 | 5+4 |

HONDA

| MODEL | START Y. | END Y. |
|----------------------------------|----------|---------|
| CIVIC VII Hatchback (EU. EP. EV) | 2000/01 | 2006/02 |



BRAKE DISC

- Rear Axle
- solid

- Safety
- Performance
- OEM Standarts
- AYD Quality



OE:
42510TGNG00

10-51489

| | |
|---------------------------|--|
| | |
| AYD NO 10-51489 | |
| MATERIAL TYPE-1 | |
| WEIGHT 3.93 KG | |
| BALANCING 100 % | |
| | |

Technical Specifications:

| Diameter (mm) | Height (mm) | Brake Disc Thickness (mm) | Min. Thickness (mm) | Centering Diameter (mm) | Bolt Hole Circle (mm) | Num. of Holes |
|---------------|-------------|---------------------------|---------------------|-------------------------|-----------------------|---------------|
| 282 | 36.6 | 10 | 8 | 64.15 | 114.3 | 5+3 |

HONDA

| MODEL | START Y. | END Y. |
|------------------------------|----------|--------|
| CIVIC X Hatchback (FC_, FK_) | 2016/09 | |
| CIVIC X Saloon (FC_) | 2015/09 | |



BRAKE DISC



- Front Axle
- Vented

- Safety
- Performance
- OEM Standarts
- AYD Quality



OE:
51712R5000

10-51470

| | |
|---|--|
|  | |
| AYD NO 10-51470 | |
| MATERIAL TYPE-1 | |
| WEIGHT 9.8 KG | |
| BALANCING 100 % | |
|  | |

Technical Specifications:

| Diameter (mm) | Height (mm) | Brake Disc Thickness (mm) | Min. Thickness (mm) | Centering Diameter (mm) | Bolt Hole Circle (mm) | Num. of Holes |
|---------------|-------------|---------------------------|---------------------|-------------------------|-----------------------|---------------|
| 325 | 48.3 | 30 | 28 | 69 | 114.3 | 5+2 |

HYUNDAI

| MODEL | START Y. | END Y. |
|----------------------|----------|--------|
| SANTA CRUZ (NX4A OB) | 2021/09 | |



BRAKE DISC

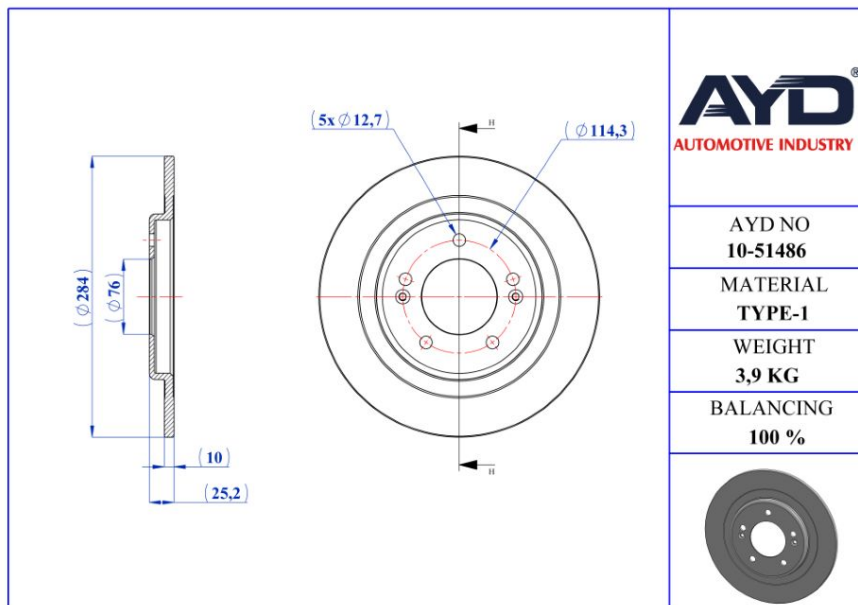
- Rear Axle
- solid

- Safety
- Performance
- OEM Standarts
- AYD Quality



OE:
584113Z100

10-51486



| |
|-----------------------------------|
| AYD AUTOMOTIVE INDUSTRY |
| AYD NO 10-51486 |
| MATERIAL TYPE-1 |
| WEIGHT 3,9 KG |
| BALANCING 100 % |
| |

Technical Specifications:

| Diameter (mm) | Height (mm) | Brake Disc Thickness (mm) | Min. Thickness (mm) | Centering Diameter (mm) | Bolt Hole Circle (mm) | Num. of Holes |
|---------------|-------------|---------------------------|---------------------|-------------------------|-----------------------|---------------|
| 284 | 25.2 | 10 | 8.4 | 76 | 114.3 | 5+2 |

HYUNDAI

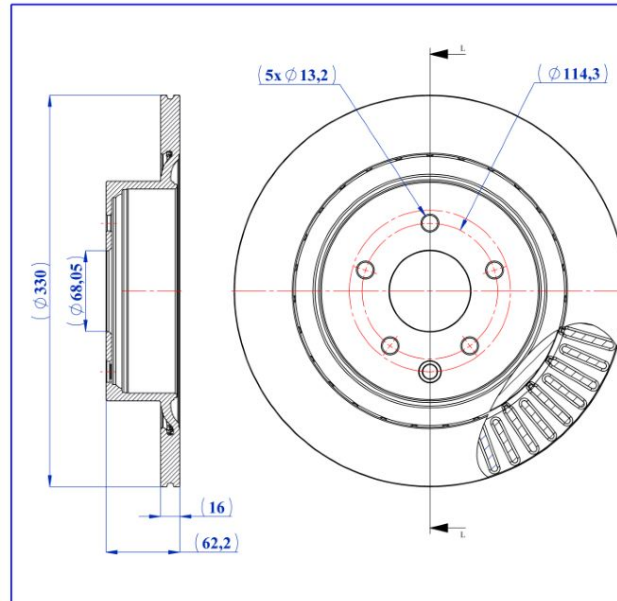
| MODEL | START Y. | END Y. |
|----------------------|----------|---------|
| i40 I (VF) | 2012/03 | 2019/05 |
| i40 I CW (VF) | 2011/07 | 2019/05 |
| i40 I Kombi Van (VF) | 2011/07 | 2019/05 |



BRAKE DISC

- Rear Axle
- Vented

- Safety
- Performance
- OEM Standarts
- AYD Quality



AYD NO
10-51466

MATERIAL
TYPE-1

WEIGHT
7.16 KG

BALANCING
100 %



OE:
43206JK600 / D3206JK60CNW

10-51466

Technical Specifications:

| Diameter (mm) | Height (mm) | Brake Disc Thickness (mm) | Min. Thickness (mm) | Centering Diameter (mm) | Bolt Hole Circle (mm) | Num. of Holes |
|---------------|-------------|---------------------------|---------------------|-------------------------|-----------------------|---------------|
| 330 | 62.2 | 16 | 15 | 68.05 | 114.3 | 5+1 |

INFINITI

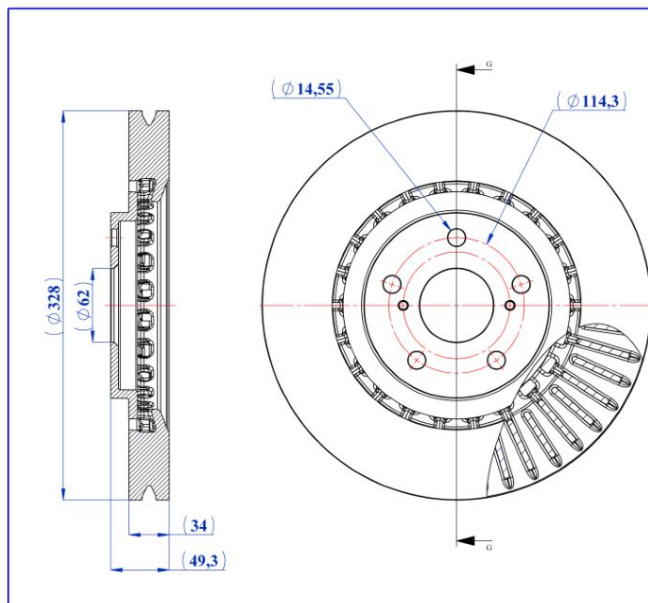
| MODEL | START Y. | END Y. |
|---------|----------|--------|
| G Coupe | 2007/09 | |



BRAKE DISC

- Front Axle
- Vented

- Safety
- Performance
- OEM Standarts
- AYD Quality



AYD NO
10-51468

MATERIAL
TYPE-1

WEIGHT
11.49 KG

BALANCING
100 %



OE:
4351248120

10-51468

Technical Specifications:

| Diameter (mm) | Height (mm) | Brake Disc Thickness (mm) | Min. Thickness (mm) | Centering Diameter (mm) | Bolt Hole Circle (mm) | Num. of Holes |
|---------------|-------------|---------------------------|---------------------|-------------------------|-----------------------|---------------|
| 328 | 49.3 | 34 | 31 | 62 | 114.3 | 5+2 |

LEXUS

| MODEL | START Y. | END Y. |
|-----------|----------|---------|
| RX (_L1_) | 2008/12 | 2015/12 |



BRAKE DISC

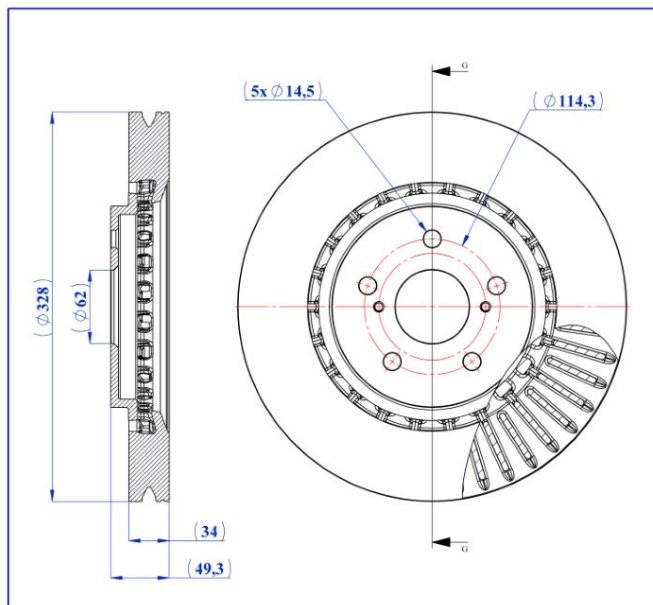
- Front Axle
- Vented

- Safety
- Performance
- OEM Standarts
- AYD Quality



OE:
4351248140

10-51475



AYD NO
10-51475

MATERIAL
TYPE-1

WEIGHT
11.49 KG

BALANCING
100 %



Technical Specifications:

| Diameter (mm) | Height (mm) | Brake Disc Thickness (mm) | Min. Thickness (mm) | Centering Diameter (mm) | Bolt Hole Circle (mm) | Num. of Holes |
|---------------|-------------|---------------------------|---------------------|-------------------------|-----------------------|---------------|
| 328 | 49.3 | 34 | 31 | 62 | 114.3 | 5+2 |

LEXUS

| MODEL | START Y. | END Y. |
|-----------|----------|--------|
| RX (_L2_) | 2015/10 | |



BRAKE DISC

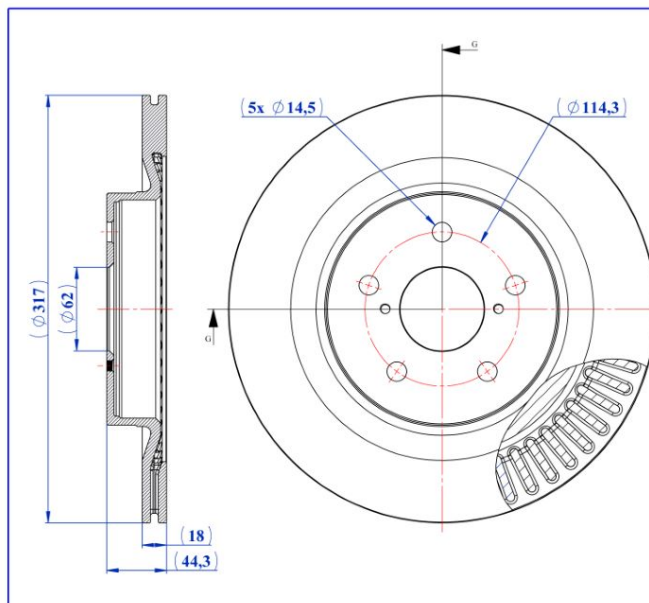
- Rear Axle
- Vented

- Safety
- Performance
- OEM Standarts
- AYD Quality



OE:
4243142080

10-51478



AYD NO
10-51478

MATERIAL
TYPE-1

WEIGHT
6,28 KG

BALANCING
100 %



Technical Specifications:

| Diameter (mm) | Height (mm) | Brake Disc Thickness (mm) | Min. Thickness (mm) | Centering Diameter (mm) | Bolt Hole Circle (mm) | Num. of Holes |
|---------------|-------------|---------------------------|---------------------|-------------------------|-----------------------|---------------|
| 317 | 44.3 | 18 | 16.5 | 62 | 114.3 | 5+2 |

LEXUS

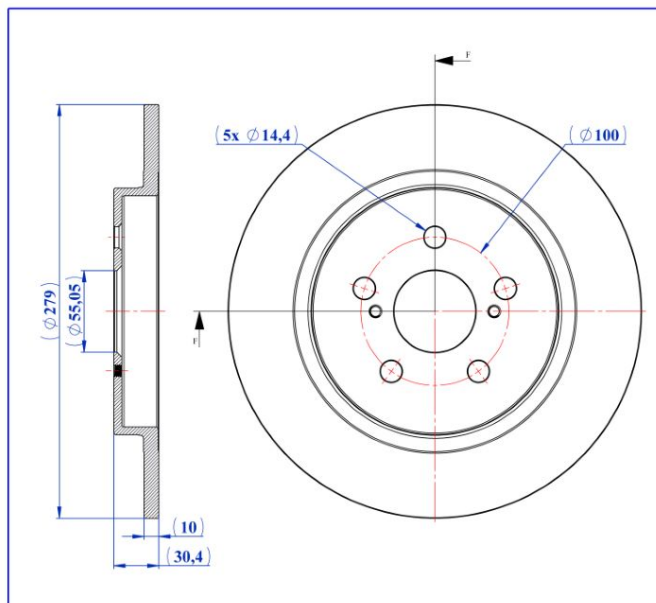
| MODEL | START Y. | END Y. |
|--------------------------|----------|--------|
| UX (_AA1_. _AH1_. _MA1_) | 2018/10 | |



BRAKE DISC

- Rear Axle
- solid

- Safety
- Performance
- OEM Standarts
- AYD Quality



AYD NO
10-51491

MATERIAL
TYPE-1

WEIGHT
4,04 KG

BALANCING
100 %



OE:
4243152160

10-51491

Technical Specifications:

| Diameter (mm) | Height (mm) | Brake Disc Thickness (mm) | Min. Thickness (mm) | Centering Diameter (mm) | Bolt Hole Circle (mm) | Num. of Holes |
|---------------|-------------|---------------------------|---------------------|-------------------------|-----------------------|---------------|
| 279 | 30.4 | 10 | 8.5 | 55.05 | 100 | 5+2 |

LEXUS

| MODEL | START Y. | END Y. |
|-------------|----------|--------|
| CT (ZWA10_) | 2010/12 | |



BRAKE DISC

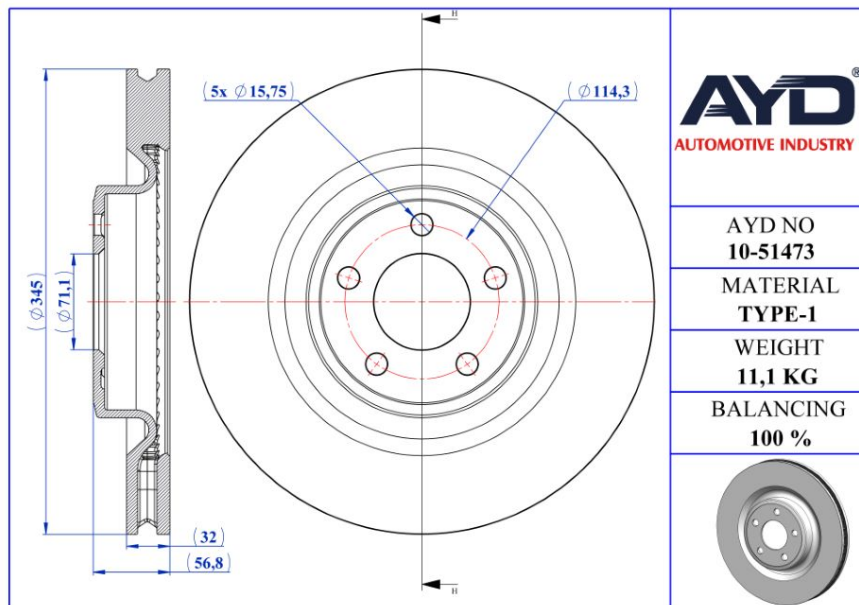
- Front Axle
- Vented

- Safety
- Performance
- OEM Standarts
- AYD Quality



OE:
L1MZ1125A

10-51473



AYD
AUTOMOTIVE INDUSTRY

AYD NO
10-51473

MATERIAL
TYPE-1

WEIGHT
11,1 KG

BALANCING
100 %



Technical Specifications:

| Diameter (mm) | Height (mm) | Brake Disc Thickness (mm) | Min. Thickness (mm) | Centering Diameter (mm) | Bolt Hole Circle (mm) | Num. of Holes |
|---------------|-------------|---------------------------|---------------------|-------------------------|-----------------------|---------------|
| 345 | 56.8 | 32 | 30.5 | 71.1 | 114.3 | 5 |

LINCOLN

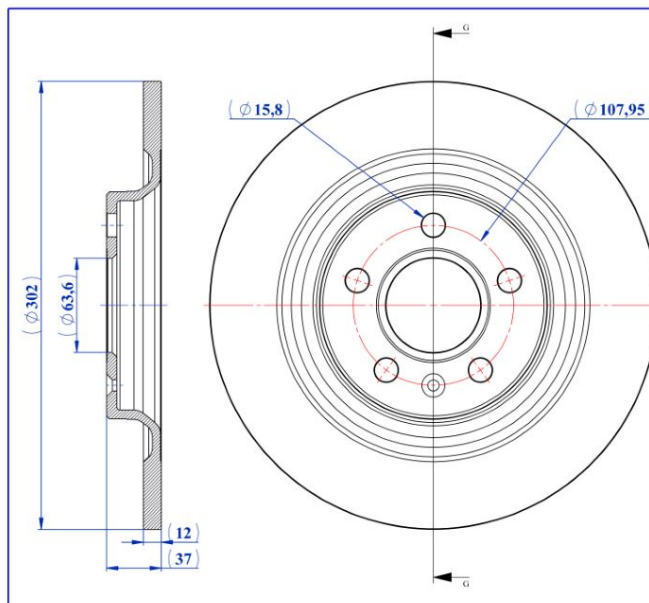
| MODEL | START Y. | END Y. |
|-------------|----------|--------|
| AVIATOR SUV | 2019/11 | |



BRAKE DISC

- Rear Axle
- solid

- Safety
- Performance
- OEM Standarts
- AYD Quality



AYD NO
10-51492

MATERIAL
TYPE-1

WEIGHT
5,11 KG

BALANCING
100 %



OE:
8888221970 / 8888654408 /
8890801400

10-51492

Technical Specifications:

| Diameter (mm) | Height (mm) | Brake Disc Thickness (mm) | Min. Thickness (mm) | Centering Diameter (mm) | Bolt Hole Circle (mm) | Num. of Holes |
|---------------|-------------|---------------------------|---------------------|-------------------------|-----------------------|---------------|
| 302 | 37 | 12 | 9 | 63.6 | 107.95 | 5+1 |

LYNK & CO

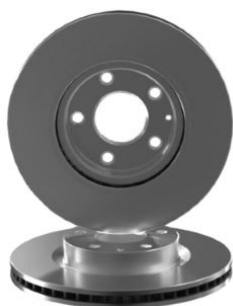
| MODEL | START Y. | END Y. |
|--------|----------|--------|
| 01 | 2017/11 | |
| 02 SUV | 2018/06 | |
| 03 | 2018/10 | |
| 05 | 2020/03 | |



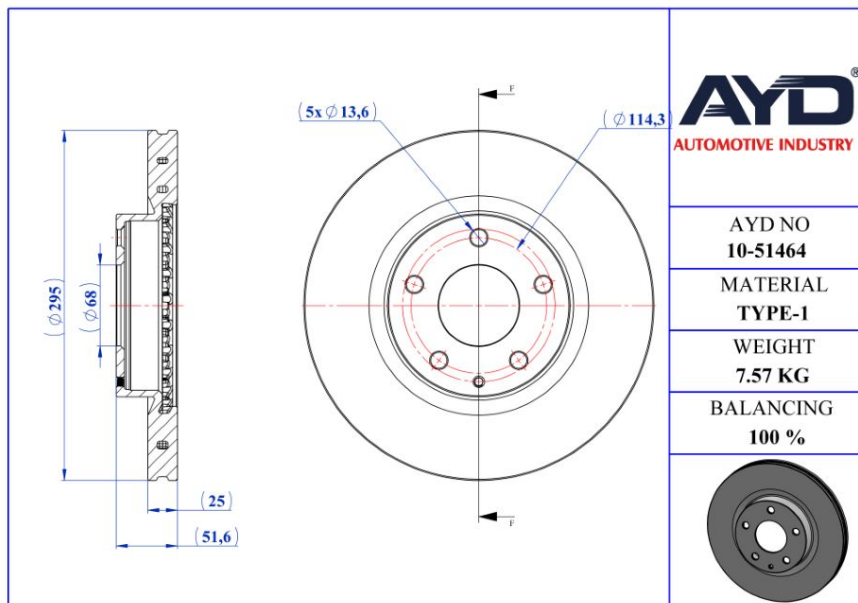
BRAKE DISC

- Front Axle
- Vented

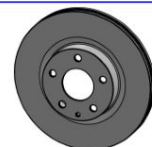
- Safety
- Performance
- OEM Standarts
- AYD Quality



OE:
B45G33251A / BJT233251A /
BHY333251



| |
|---------------------------|
| AYD NO 10-51464 |
| MATERIAL TYPE-1 |
| WEIGHT 7.57 KG |
| BALANCING 100 % |



10-51464

Technical Specifications:

| Diameter (mm) | Height (mm) | Brake Disc Thickness (mm) | Min. Thickness (mm) | Centering Diameter (mm) | Bolt Hole Circle (mm) | Num. of Holes |
|---------------|-------------|---------------------------|---------------------|-------------------------|-----------------------|---------------|
| 295 | 51.6 | 25 | 23 | 68 | 114.3 | 5+1 |

MAZDA

| MODEL | START Y. | END Y. |
|----------------------|----------|---------|
| 3 (BM. BN) | 2013/07 | 2019/05 |
| 3 Hatchback Van (BM) | 2015/04 | 2016/05 |
| 3 Saloon (BM_, BN_) | 2013/09 | 2019/12 |
| CX-3 (DK) | 2015/01 | |



BRAKE DISC

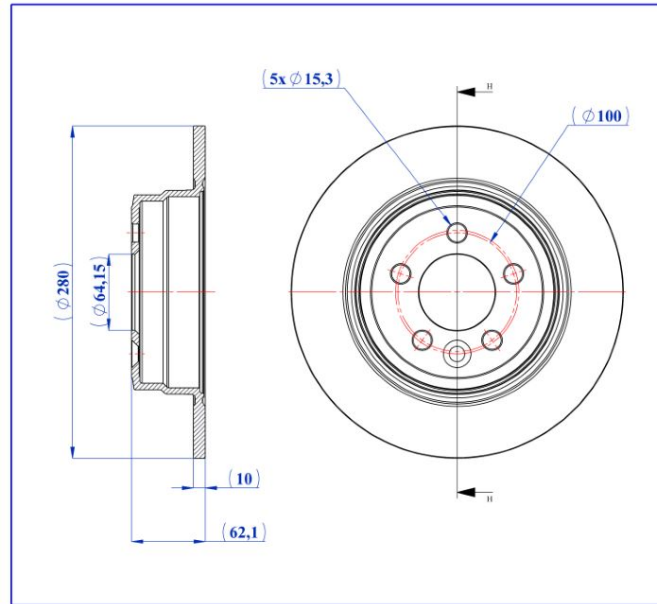
- Rear Axle
- solid

- Safety
- Performance
- OEM Standarts
- AYD Quality



OE:
SDB000010 / GBD90847 / SDB000870

10-51488



AYD NO
10-51488

MATERIAL
TYPE-1

WEIGHT
4.46KG

BALANCING
100 %



Technical Specifications:

| Diameter (mm) | Height (mm) | Brake Disc Thickness (mm) | Min. Thickness (mm) | Centering Diameter (mm) | Bolt Hole Circle (mm) | Num. of Holes |
|---------------|-------------|---------------------------|---------------------|-------------------------|-----------------------|---------------|
| 280 | 62.1 | 10 | 8 | 64.15 | 100 | 5+1 |

MG

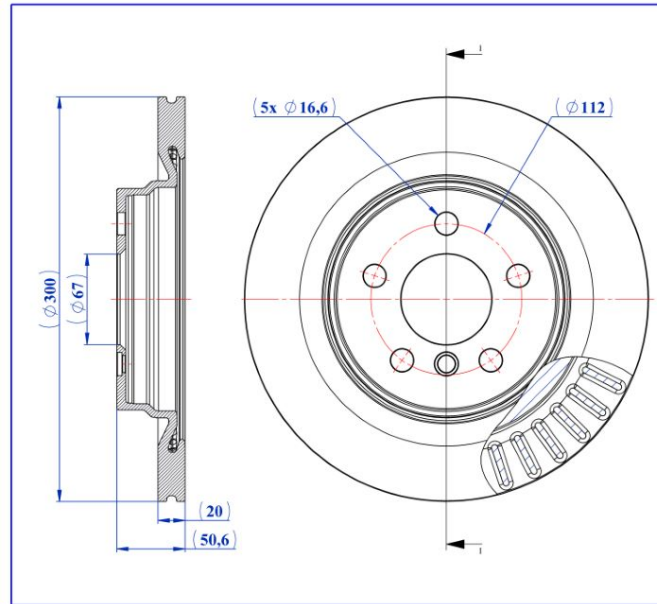
| MODEL | START Y. | END Y. |
|----------|----------|---------|
| MG ZT | 2001/06 | 2005/10 |
| MG ZT- T | 2001/10 | 2005/10 |



BRAKE DISC

- Rear Axle
- Vented

- Safety
- Performance
- OEM Standarts
- AYD Quality



AYD NO
10-51480

MATERIAL
TYPE-1

WEIGHT
5,76 KG

BALANCING
100 %



OE:
34206891086

10-51480

Technical Specifications:

| Diameter (mm) | Height (mm) | Brake Disc Thickness (mm) | Min. Thickness (mm) | Centering Diameter (mm) | Bolt Hole Circle (mm) | Num. of Holes |
|---------------|-------------|---------------------------|---------------------|-------------------------|-----------------------|---------------|
| 300 | 50.6 | 20 | 18.4 | 67 | 112 | 5+1 |

MINI

| MODEL | START Y. | END Y. |
|-----------------------|----------|--------|
| MINI CLUBMAN (F54) | 2014/11 | |
| MINI COUNTRYMAN (F60) | 2016/10 | |



BRAKE DISC

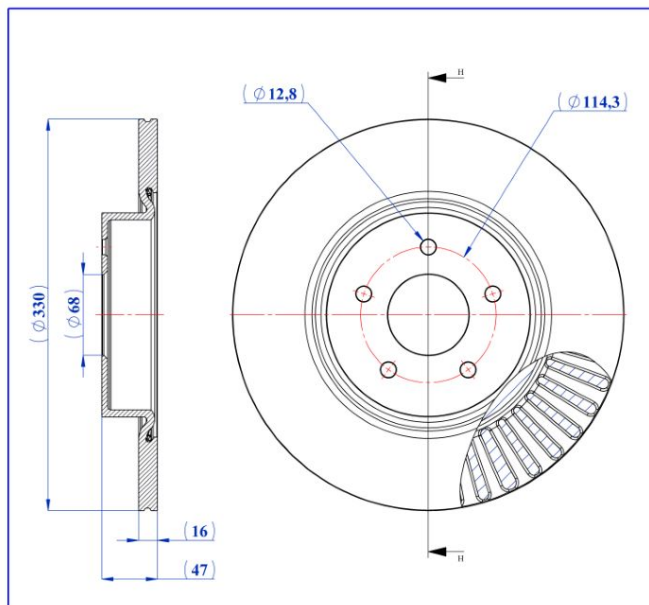
- Rear Axle
- Vented

- Safety
- Performance
- OEM Standarts
- AYD Quality



OE:
4615A287

10-51476

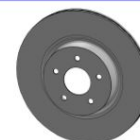


AYD NO
10-51476

MATERIAL
TYPE-1

WEIGHT
6.95 KG

BALANCING
100 %



Technical Specifications:

| Diameter (mm) | Height (mm) | Brake Disc Thickness (mm) | Min. Thickness (mm) | Centering Diameter (mm) | Bolt Hole Circle (mm) | Num. of Holes |
|---------------|-------------|---------------------------|---------------------|-------------------------|-----------------------|---------------|
| 330 | 47 | 16 | 14 | 68 | 114.3 | 5 |

MITSUBISHI

| MODEL | START Y. | END Y. |
|-------------------------|----------|--------|
| OUTLANDER IV (DG. GM_W) | 2021/06 | |



BRAKE DISC

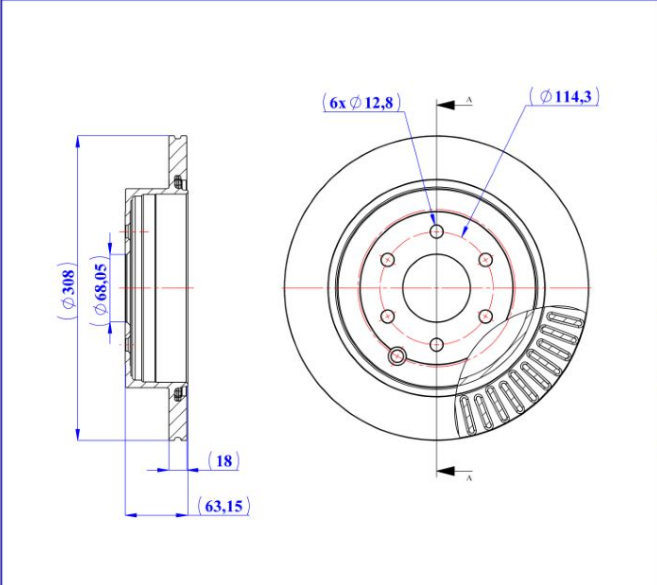
- Rear Axle
- Vented


- Safety
- Performance
- OEM Standarts
- AYD Quality




OE:
43206EB300 / 43206EB30A

10-51467





| |
|---------------------------|
| AYD NO 10-51467 |
| MATERIAL TYPE-1 |
| WEIGHT 6,37 KG |
| BALANCING 100 % |



Technical Specifications:

| Diameter (mm) | Height (mm) | Brake Disc Thickness (mm) | Min. Thickness (mm) | Centering Diameter (mm) | Bolt Hole Circle (mm) | Num. of Holes |
|---------------|-------------|---------------------------|---------------------|-------------------------|-----------------------|---------------|
| 308 | 63.15 | 18 | 16 | 68.05 | 114.3 | 6+1 |

NISSAN

| MODEL | START Y. | END Y. |
|---------------------------|----------|---------|
| PATHFINDER III (R51) | 2005/01 | |
| PATHFINDER III VAN (R51_) | 2005/01 | 2014/08 |



BRAKE DISC

- Rear Axle
- solid

- Safety
- Performance
- OEM Standarts
- AYD Quality



OE:
SDB000881 / GBD90847 / SDB000870

10-51488

| | |
|---------------------------|--|
| | |
| AYD NO 10-51488 | |
| MATERIAL TYPE-1 | |
| WEIGHT 4.46KG | |
| BALANCING 100 % | |
| | |

Technical Specifications:

| Diameter (mm) | Height (mm) | Brake Disc Thickness (mm) | Min. Thickness (mm) | Centering Diameter (mm) | Bolt Hole Circle (mm) | Num. of Holes |
|---------------|-------------|---------------------------|---------------------|-------------------------|-----------------------|---------------|
| 280 | 62.1 | 10 | 8 | 64.15 | 100 | 5+1 |

ROVER

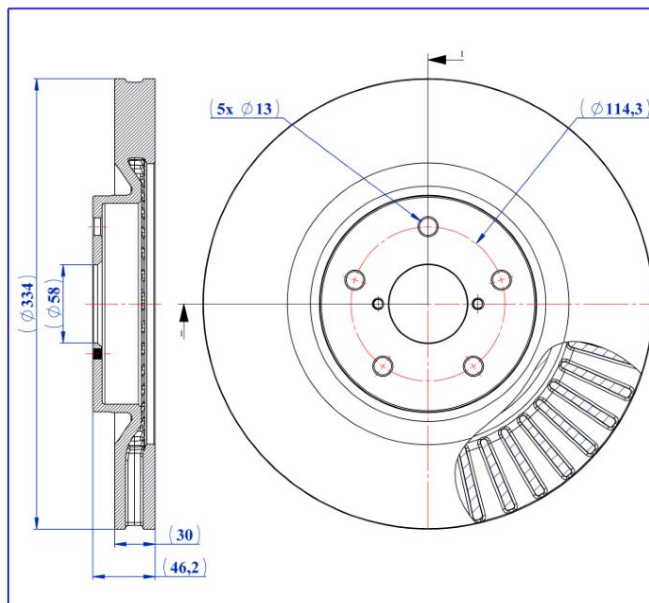
| MODEL | START Y. | END Y. |
|------------------|----------|---------|
| 75 (RJ) | 1999/02 | 2005/10 |
| 75 I Tourer (RJ) | 2001/08 | 2006/06 |



BRAKE DISC

- Front Axle
- Vented

- Safety
- Performance
- OEM Standarts
- AYD Quality

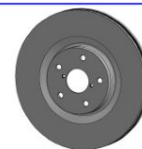


AYD NO
10-51469

MATERIAL
TYPE-1

WEIGHT
10,36 KG

BALANCING
100 %



OE:
26300XC00A

10-51469

Technical Specifications:

| Diameter (mm) | Height (mm) | Brake Disc Thickness (mm) | Min. Thickness (mm) | Centering Diameter (mm) | Bolt Hole Circle (mm) | Num. of Holes |
|---------------|-------------|---------------------------|---------------------|-------------------------|-----------------------|---------------|
| 334 | 46.2 | 30 | 28 | 58 | 114.3 | 5+2 |

SUBARU

| MODEL | START Y. | END Y. |
|--------|----------|--------|
| ASCENT | 2019/01 | |



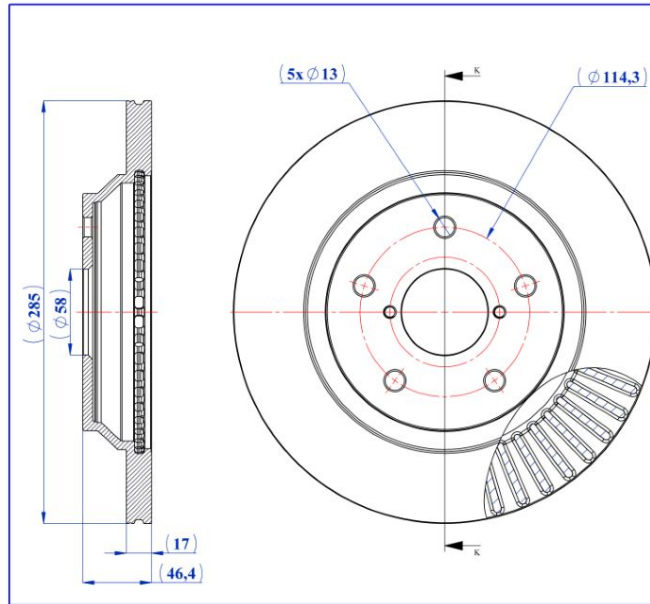
BRAKE DISC

- Rear Axle
- Vented

- Safety
- Performance
- OEM Standarts
- AYD Quality

OE:
26700SJ000

10-51477



AYD[®]
AUTOMOTIVE INDUSTRY

AYD NO
10-51477

MATERIAL
TYPE-1

WEIGHT
4,95 KG

BALANCING
100 %



Technical Specifications:

| Diameter (mm) | Height (mm) | Brake Disc Thickness (mm) | Min. Thickness (mm) | Centering Diameter (mm) | Bolt Hole Circle (mm) | Num. of Holes |
|---------------|-------------|---------------------------|---------------------|-------------------------|-----------------------|---------------|
| 285 | 46.4 | 17 | 16 | 58 | 114.3 | 5+2 |

SUBARU

| MODEL | START Y. | END Y. |
|----------------|----------|--------|
| FORESTER (SK_) | 2018/04 | |



BRAKE DISC

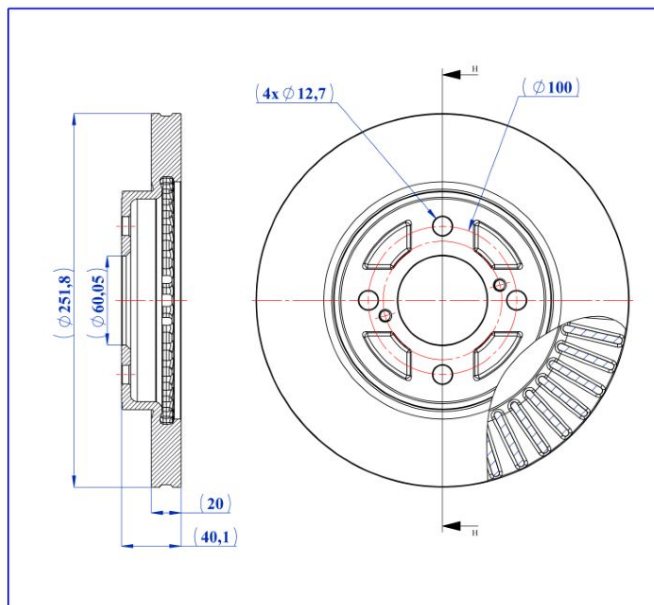
- Front Axle
- Vented

- Safety
- Performance
- OEM Standarts
- AYD Quality



OE:
5531152R50 / 55311M69P10 /
55311M75J50

10-51465

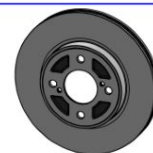


AYD NO
10-51465

MATERIAL
TYPE-1

WEIGHT
4.09 KG

BALANCING
100 %



Technical Specifications:

| Diameter (mm) | Height (mm) | Brake Disc Thickness (mm) | Min. Thickness (mm) | Centering Diameter (mm) | Bolt Hole Circle (mm) | Num. of Holes |
|---------------|-------------|---------------------------|---------------------|-------------------------|-----------------------|---------------|
| 251.8 | 40.1 | 20 | 18 | 60.05 | 100 | 4+2 |

SUZUKI

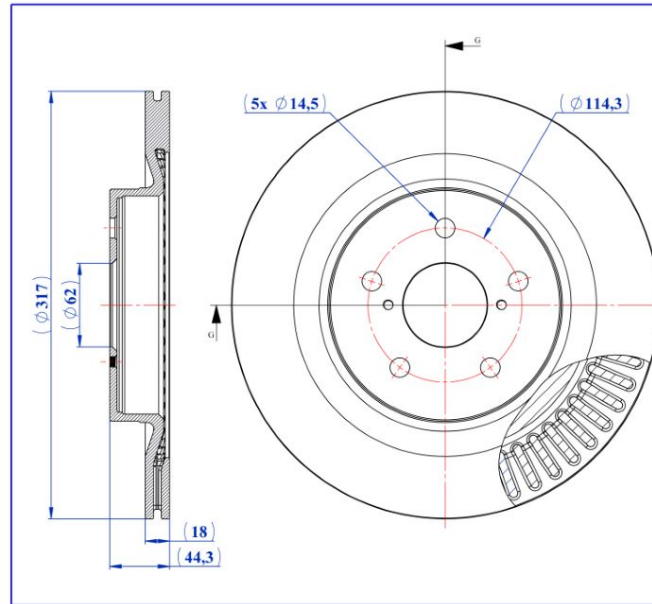
| MODEL | START Y. | END Y. |
|---------------------|----------|--------|
| SWIFT V (AZ) | 2017/01 | |
| SWIFT VI (ZD_, ZC_) | 2023/12 | |



BRAKE DISC

- Rear Axle
- Vented

- Safety
- Performance
- OEM Standarts
- AYD Quality



AYD NO
10-51478

MATERIAL
TYPE-1

WEIGHT
6,28 KG

BALANCING
100 %



OE:
T424314208

10-51478

Technical Specifications:

| Diameter (mm) | Height (mm) | Brake Disc Thickness (mm) | Min. Thickness (mm) | Centering Diameter (mm) | Bolt Hole Circle (mm) | Num. of Holes |
|---------------|-------------|---------------------------|---------------------|-------------------------|-----------------------|---------------|
| 317 | 44.3 | 18 | 16.5 | 62 | 114.3 | 5+2 |

SUZUKI

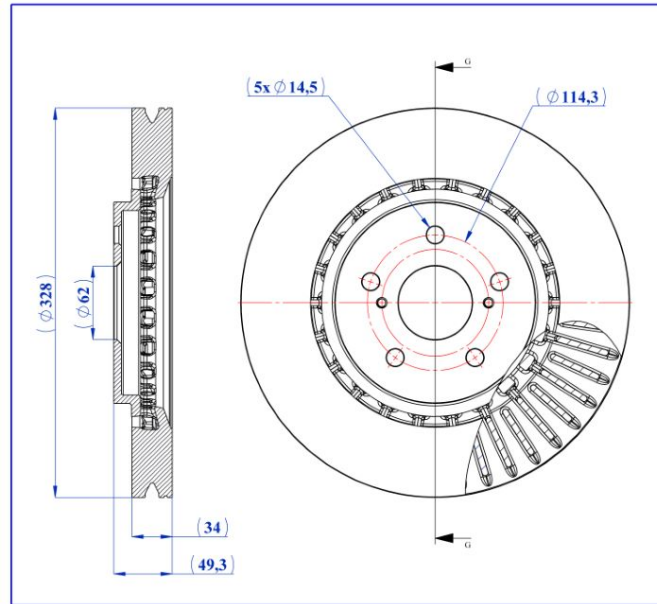
| MODEL | START Y. | END Y. |
|---------------|----------|--------|
| ACROSS (A5Z_) | 2020/06 | |



BRAKE DISC

- Front Axle
- Vented

- Safety
- Performance
- OEM Standarts
- AYD Quality



AYD NO
10-51475

MATERIAL
TYPE-1

WEIGHT
11.49 KG

BALANCING
100 %



OE:
4351248140 / 4351242070

10-51475

Technical Specifications:

| Diameter (mm) | Height (mm) | Brake Disc Thickness (mm) | Min. Thickness (mm) | Centering Diameter (mm) | Bolt Hole Circle (mm) | Num. of Holes |
|---------------|-------------|---------------------------|---------------------|-------------------------|-----------------------|---------------|
| 328 | 49.3 | 34 | 31 | 62 | 114.3 | 5+2 |

TOYOTA

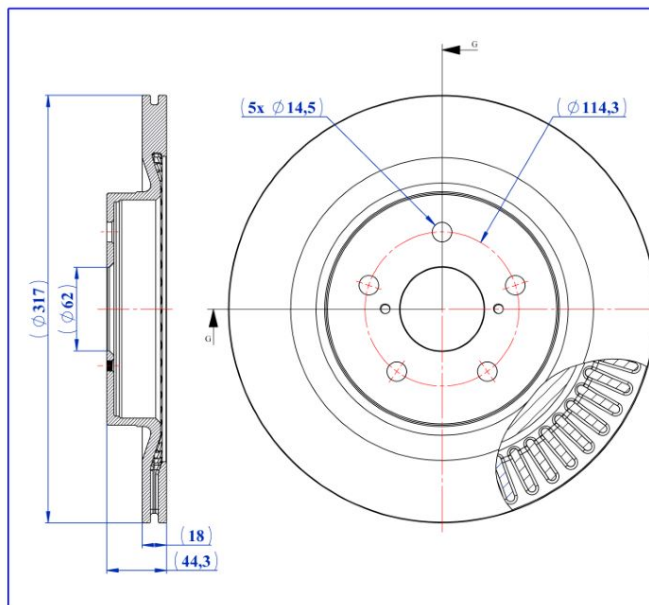
| MODEL | START Y. | END Y. |
|-------------------------|----------|--------|
| RAV 4 V (_A5_ _H5_) | 2018/12 | |
| RAV 4 V VAN (_A5_ _H5_) | 2018/12 | |



BRAKE DISC

- Rear Axle
- Vented

- Safety
- Performance
- OEM Standarts
- AYD Quality



AYD NO
10-51478

MATERIAL
TYPE-1

WEIGHT
6,28 KG

BALANCING
100 %



OE:
4243142080

10-51478

Technical Specifications:

| Diameter (mm) | Height (mm) | Brake Disc Thickness (mm) | Min. Thickness (mm) | Centering Diameter (mm) | Bolt Hole Circle (mm) | Num. of Holes |
|---------------|-------------|---------------------------|---------------------|-------------------------|-----------------------|---------------|
| 317 | 44.3 | 18 | 16.5 | 62 | 114.3 | 5+2 |

TOYOTA

| MODEL | START Y. | END Y. |
|-------------------------|----------|--------|
| RAV 4 V (_A5_ _H5_) | 2018/12 | |
| RAV 4 V VAN (_A5_ _H5_) | 2018/12 | |



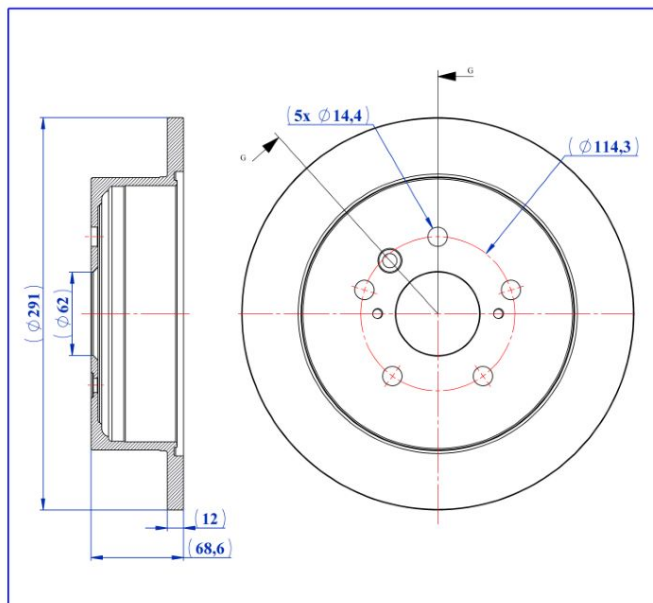
BRAKE DISC

- Rear Axle
- solid

- Safety
- Performance
- OEM Standarts
- AYD Quality



OE:
4243144030 / 4243144031 /
4243128120

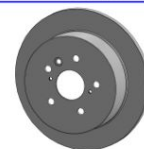


AYD NO
10-51487

MATERIAL
TYPE-1

WEIGHT
5,79 KG

BALANCING
100 %



10-51487

Technical Specifications:

| Diameter (mm) | Height (mm) | Brake Disc Thickness (mm) | Min. Thickness (mm) | Centering Diameter (mm) | Bolt Hole Circle (mm) | Num. of Holes |
|---------------|-------------|---------------------------|---------------------|-------------------------|-----------------------|---------------|
| 291 | 68.6 | 12 | 10.5 | 62 | 114.3 | 5+3 |

TOYOTA

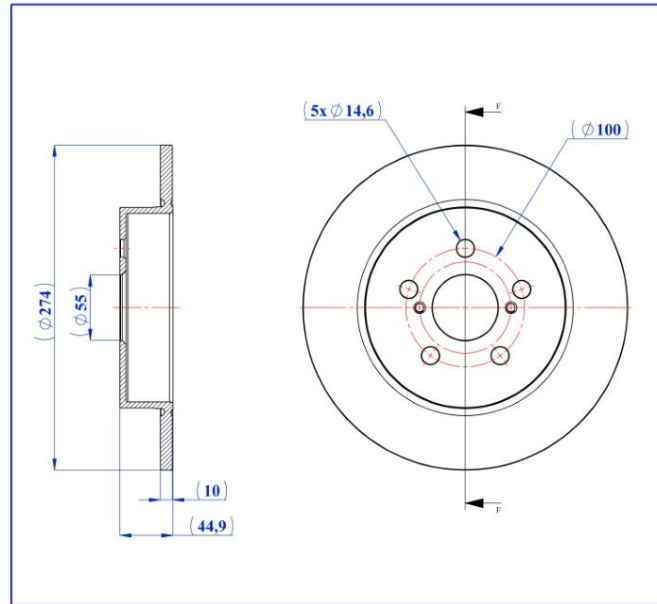
| MODEL | START Y. | END Y. |
|----------------------|----------|---------|
| AVENSIS VERSO (_M2_) | 2001/05 | 2011/12 |



BRAKE DISC

- Rear Axle
- solid

- Safety
- Performance
- OEM Standarts
- AYD Quality



AYD NO
10-51490

MATERIAL
TYPE-1

WEIGHT
4.05 KG

BALANCING
100 %



OE:
42431K0010

10-51490

Technical Specifications:

| Diameter (mm) | Height (mm) | Brake Disc Thickness (mm) | Min. Thickness (mm) | Centering Diameter (mm) | Bolt Hole Circle (mm) | Num. of Holes |
|---------------|-------------|---------------------------|---------------------|-------------------------|-----------------------|---------------|
| 274 | 44.9 | 10 | 8.5 | 55 | 100 | 5+2 |

TOYOTA

| MODEL | START Y. | END Y. |
|-----------------------------|----------|--------|
| YARIS (_P21_. _PA1_. _PH1_) | 2020/02 | |



BRAKE DISC

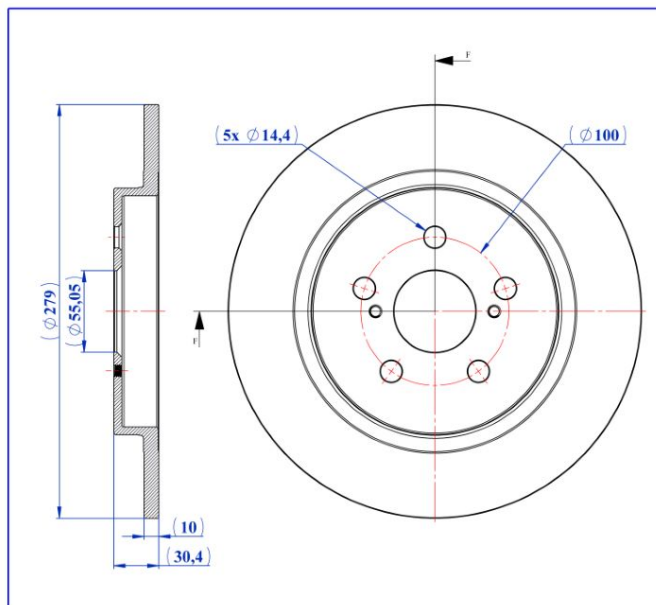
- Rear Axle
- solid

- Safety
- Performance
- OEM Standarts
- AYD Quality



OE:
4243152160

10-51491



AYD NO
10-51491

MATERIAL
TYPE-1

WEIGHT
4,04 KG

BALANCING
100 %



Technical Specifications:

| Diameter (mm) | Height (mm) | Brake Disc Thickness (mm) | Min. Thickness (mm) | Centering Diameter (mm) | Bolt Hole Circle (mm) | Num. of Holes |
|---------------|-------------|---------------------------|---------------------|-------------------------|-----------------------|---------------|
| 279 | 30.4 | 10 | 8.5 | 55.05 | 100 | 5+2 |

TOYOTA

| MODEL | START Y. | END Y. |
|----------------------|----------|---------|
| URBAN CRUISER (_P1_) | 2007/07 | 2016/03 |



BRAKE DISC

- Front Axle
- Vented

- Safety
- Performance
- OEM Standarts
- AYD Quality



OE:
31400569

10-51481

| |
|-----------------------------------|
| AYD AUTOMOTIVE INDUSTRY |
| AYD NO 10-51481 |
| MATERIAL TYPE-1 |
| WEIGHT 13.39 KG |
| BALANCING 100 % |
| |

Technical Specifications:

| Diameter (mm) | Height (mm) | Brake Disc Thickness (mm) | Min. Thickness (mm) | Centering Diameter (mm) | Bolt Hole Circle (mm) | Num. of Holes |
|---------------|-------------|---------------------------|---------------------|-------------------------|-----------------------|---------------|
| 366 | 48 | 30 | 27.5 | 63.6 | 107.95 | 5+1 |

VOLVO

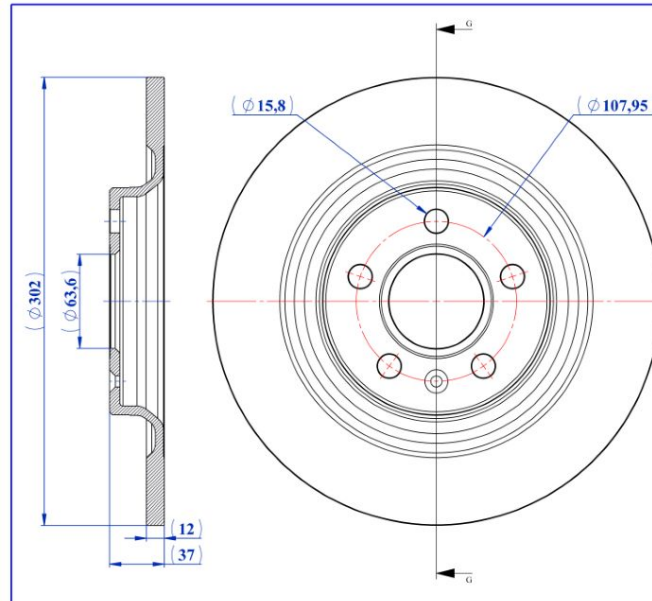
| MODEL | START Y. | END Y. |
|---------------|----------|--------|
| XC60 II (246) | 2017/03 | |
| XC90 II (256) | 2014/09 | |



BRAKE DISC

- Rear Axle
- solid

- Safety
- Performance
- OEM Standarts
- AYD Quality



| |
|---------------------------|
| AYD NO 10-51492 |
| MATERIAL TYPE-1 |
| WEIGHT 5,11 KG |
| BALANCING 100 % |



OE:
32300123 / 31471477 / 314714770

10-51492

Technical Specifications:

| Diameter (mm) | Height (mm) | Brake Disc Thickness (mm) | Min. Thickness (mm) | Centering Diameter (mm) | Bolt Hole Circle (mm) | Num. of Holes |
|---------------|-------------|---------------------------|---------------------|-------------------------|-----------------------|---------------|
| 302 | 37 | 12 | 9 | 63.6 | 107.95 | 5+1 |

VOLVO

| MODEL | START Y. | END Y. |
|------------|----------|--------|
| XC40 (536) | 2017/10 | |

